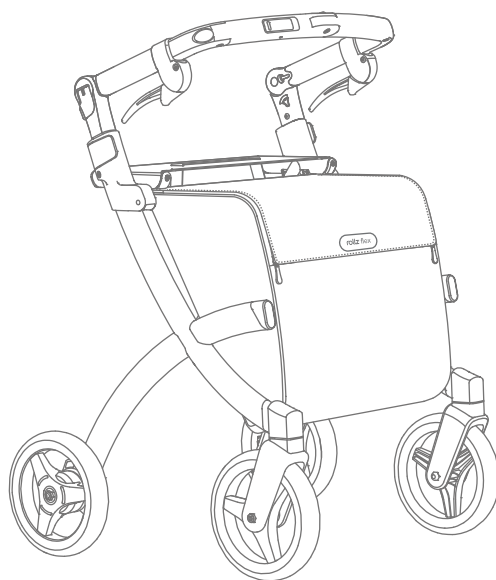


rollz®

Rollz Flex

EN - User manual
NL - Gebruikshandleiding
FR - Manuel d'utilisation
DE - Bedienungsanleitung



CE

EN - User manual	1
NL - Gebruikshandleiding	23
FR - Manuel d'utilisation	45
DE - Bedienungsanleitung	67

For manuals in other languages,
please check **www.rollz.com**.

English

USER MANUAL

Rollz Flex

EN

Rollz® International BV – Rollz Flex

© Copyright 2021 Rollz® International BV

In this manual Rollz International explains and illustrates the safe use and maintenance of the Rollz Flex as well as possible. The purchased product may differ slightly from the product described in this user guide.

Information contained in this document may be changed without prior notice. You can request the latest manual from Rollz International BV or download it from www.rollz.com.

Rollz International BV cannot be held liable for technical faults or defects.

CE-conformity

The Rollz Flex meets the requirements of the “REGULATION (EU) 2017/745 OF THE EUROPEAN PARLIAMENT AND OF THE COUNCIL of 5 April 2017 on medical devices”. Based on the classification rules in Attachment IX of this directive the Rollz Flex is classified into class I.

The declaration of conformity has been issued under the own responsibility of Rollz International BV based on the Attachment VII of this directive.

Certified rollator

In rollator mode, the Rollz Flex is a fully SGS-certified rollator, tested and approved in accordance with ISO 11199-2.

CONTENTS

Before you begin	4
Important information	4
Safe use of the Rollz Flex	5
Warnings	10
Indication for use of the Rollz Flex	10
Conditions when the Rollz Flex is not suitable	10
Technical specifications	11
Check if your delivery is complete	11
Reuse	11
Use	11
Brake adjustment	13
Different versions	13
Rollz Flex equipped with classic brakes	13
Rollz Flex equipped with flip brakes	14
Rollz Flex Small equipped with classic brakes	14
Rollz Flex handlebar fixed in rollator position	14
Warranty	15
What does the manufacturer's warranty mean?	15
What is not covered by the manufacturer's warranty?	16
Submitting a warranty claim	17
Repair when the warranty period has expired	17
Contact Rollz	17
Instruction drawings for proper use	18
Folding in the Rollz Flex	18
Unfolding the Rollz Flex	19
Taking a rest on the Rollz Flex seat (be sure to use the handbrakes!)	20
Crossing thresholds and curbs/ curbstones/kerbs	20
Using the bag	21
Removing the inside bag	21

BEFORE YOU BEGIN

Congratulations on the purchase of your Rollz Flex. With this manual Rollz wants to help you to use the Rollz Flex in the safest and most convenient way. Please have your purchase registered on www.rollz.com.

We hope you will enjoy the use of your Rollz Flex!

Important information

- This manual is written for the Rollz Flex.
- The Rollz Flex is a walking aid and rollator, suitable for persons up to 125 kg with a height between 1.55 m and 1.95 m.
- The Rollz Flex Small is a walking aid and rollator, suitable for persons up to 125 kg with a height between 1.40 m and 1.60 m.
- Please read this manual carefully before using your rollator. Keep the instructions safe and at your disposal to consult them at your convenience.
- Do not jeopardize your safety and that of others due to misuse or incorrect use of this product.
- To keep the Rollz Flex in optimal condition, regular cleaning is necessary **(Figure 1)**.

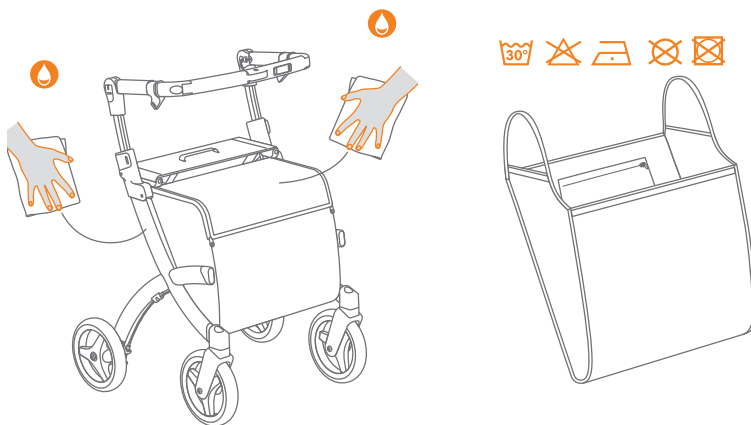


Figure 1: Cleaning / disinfecting

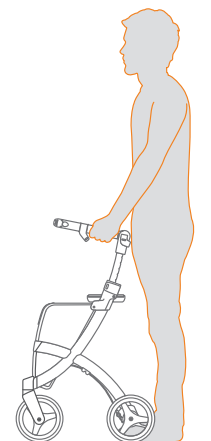
! Clean the frame and bag with a damp cloth
Wash inside bag at max 30°C

- The Rollz Flex bag is suitable for use of loads up to 20 kg.
- Use original Rollz accessories only.
- Only store the Rollz Flex in a dry place, indoors.
- Parts of the Rollz Flex may discolour or fade slightly when exposed to sunlight.
- Avoid exposure to extreme temperatures.
- Only use original parts approved by Rollz International BV for replacement of parts or repair.
- The warranty is void if the product is damaged by improper use such as overloading, incorrect folding or unfolding, the use of parts not approved by Rollz or use of non-original accessories. The warranty conditions are described in chapter Warranty of this manual.
- You will find the serial number and article number on the product sticker of your Rollz Flex. It is located on the backside of the right hinge tube.
- The Rollz Flex has been patented and the brand name and model are protected.

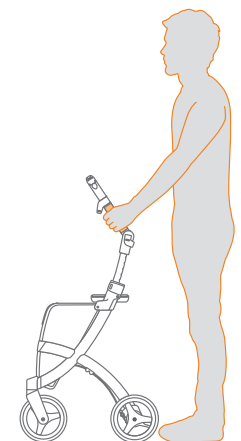
Safe use of the Rollz Flex

- The Rollz Flex is designed to offer support when walking outdoors and indoors.
- Make sure you walk as close as possible to the Rollz Flex for proper support and safety.
- The Rollz Flex offers the most support with the handlebar positioned completely forward, away from you. That is the rollator mode position. In this position you can lean on the handlebar with your full weight (**Figure 2**).
- Only use the Rollz Flex as a rollator when the handlebar is fully positioned forwards, which is the rollator mode position. You will find the adjustment options in (**Figure 3**).
- Do not use the Rollz Flex as a rollator when the handlebar is positioned in the shopper position (up) or in the tilt position (all the way directed towards you). The Rollz Flex in shopper mode position offers just a slight amount of support.
- Always position your hands in the middle of the rubber handles. You can recognize the correct location on the grooves on the handles (**Figure 4**).

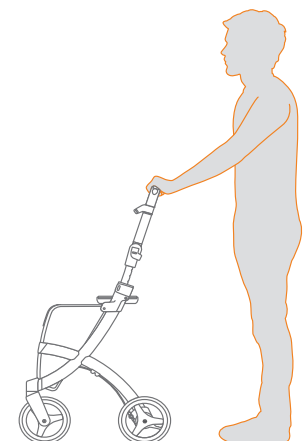
Figure 2: Positions of the handlebar



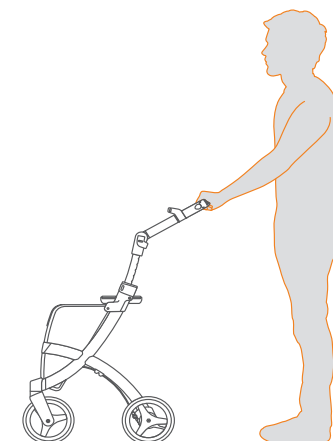
Rollator position – maximal support



Semi-rollator position – strong support

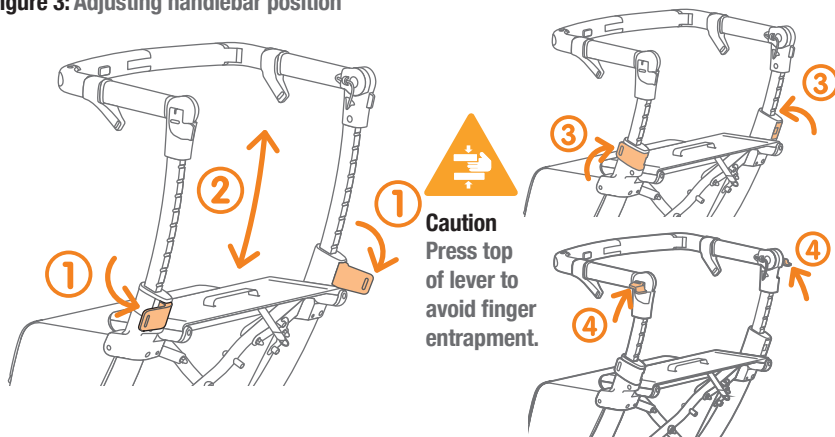


Shopper position – light support



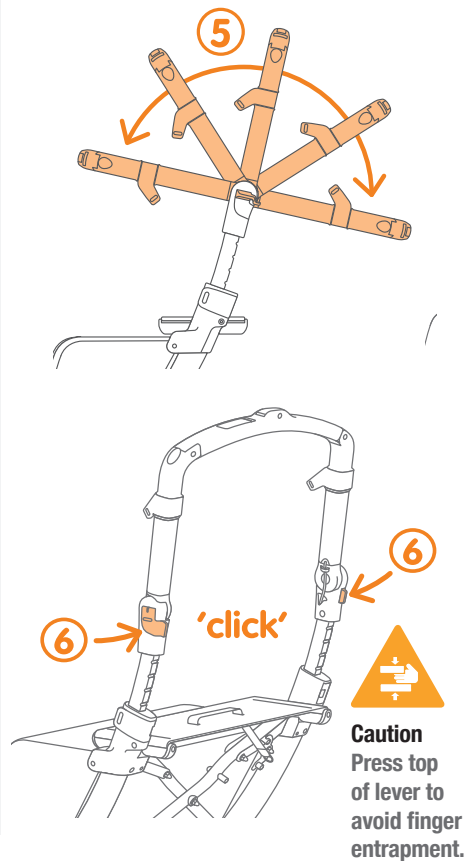
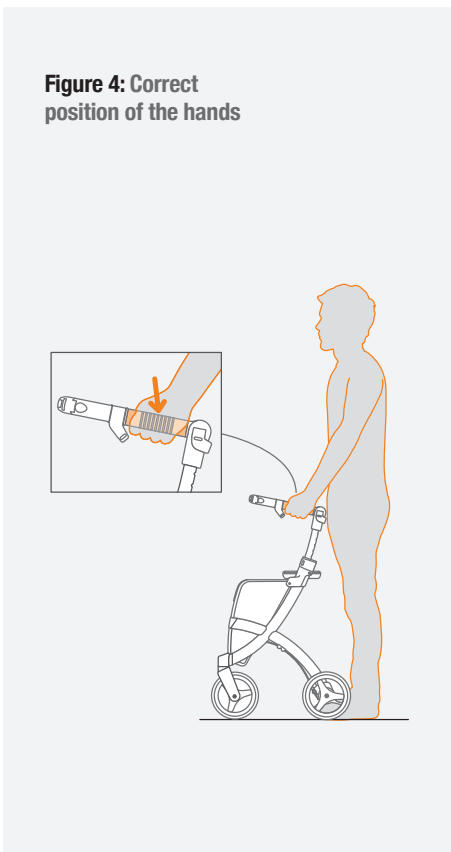
Tilt position – no support

Figure 3: Adjusting handlebar position



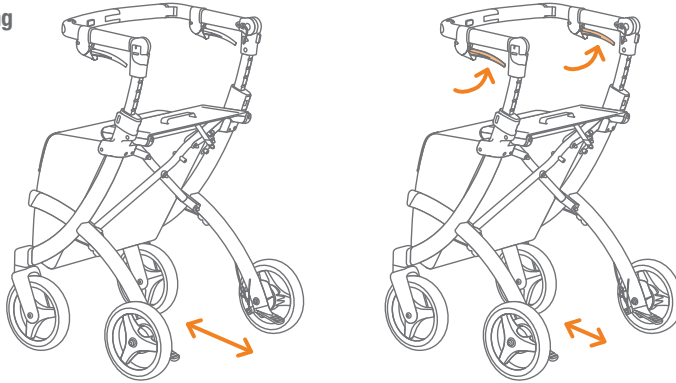
English

Figure 4: Correct position of the hands

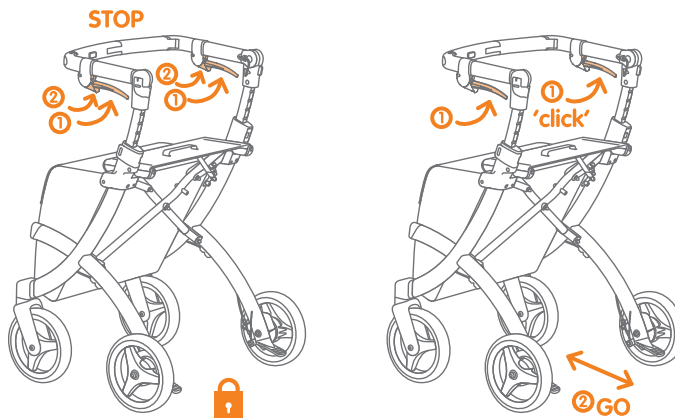


- When you're not walking with the Rollz Flex, always use the parking brakes on both sides.
- Always check the brakes before use. If the brakes are not working properly, have the brakes readjusted, e.g. by your supplier, to prevent loss of braking and unsafe situations.
- The brakes may be slightly squeezed to reduce speed, but may not brake continuously while walking.
- Would you like to sit on the seat of the Rollz Flex? Make sure that both brakes are on the parking brake, both when sitting down and when standing up again (**Figure 5 and Figure 6**).

Figure 5: Using the classical brakes



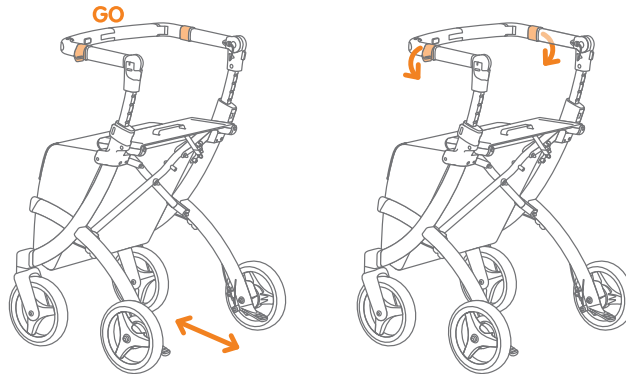
Braking



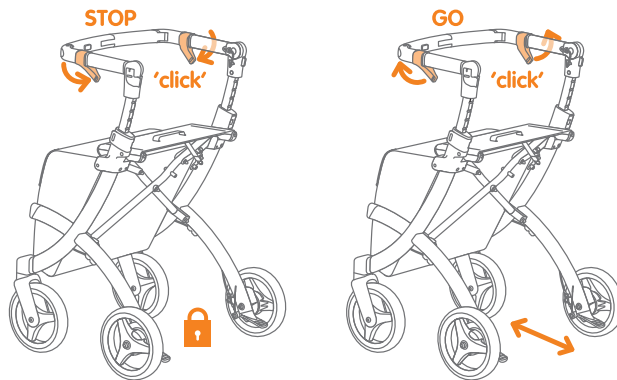
Engaging parking brakes

Releasing the parking brakes

Figure 6:
Using the
flip brakes



**Parking
position and
releasing the
brakes**



- You can only sit safely on the Rollz Flex if your feet can rest on the floor while sitting.
- Do you want to lift the Rollz Flex, for example to store it in the car or elsewhere? If there are items in the bag, first take the inner bag with its contents from the Rollz Flex. Then fold in the Rollz Flex. Lift the product by the metal frame, not by the handlebar.
- Avoid walking on extremely bumpy and rough terrain with holes in the pavement. In that case you may fall over.
- The Rollz Flex is a walking aid and a rollator, assisting one person at a time and cannot be used as a wheelchair.
- The Rollz Flex is not a buggy or pram and is not intended to carry or transport children, people, pets or livestock.



Warnings

- Be careful when folding or unfolding the Rollz Flex, make sure at all times that you will not get pinched, cut or harmed in any way.
- Make sure that all clasps are locked before using the Rollz Flex.
- Are you traveling, and has a flight attendant or driver put your rollator away, e.g. in the hold of the plane or in the cargo hold of a coach or in the back of a taxi? Then check your rollator for possible damage.
- The Rollz Flex has been developed to operate with ease. It is essential to regularly check whether you as a user are able to perform all actions independently or need support from other people. Keep the Rollz Flex away from open flames and other heat sources, including but not limited to electric or gas heaters.
- Cleaning with a disinfectant should be done by authorized persons.
- Do not use the Rollz Flex if a part is broken, torn, defective, incomplete, or if any part is missing.

Indication for use of the Rollz Flex

The Rollz Flex is a mobility aid that can be used both as a rollator (only in rollator position), as well as a shopping trolley. In rollator position the Rollz Flex provides support while walking, to people with limited mobility, both inside and outside the house. The seat allows you to take a short rest. In case your support need is currently low, you can tilt the handle bar to suit your current needs (**Figure 2 and Figure 3**). In the fixed handlebar version this only can be adjusted using an Allen key.

Conditions when the Rollz Flex is not suitable

The Rollz Flex is not suitable for:

- People with visual perception disorders;
- People with strong balance disorders, which means that the user is not able to operate the Rollz Flex independently;
- People with a body weight exceeding 125 kg.

PRODUCT SPECIFICATIONS		
	Rollz Flex	Rollz Flex Small
Rollator weight	7,7 kg	6,8 kg
User height	1,55-1,95m	1,40-1,60m
Seat height	62 cm	52,5 cm
Seat width	44 cm	44 cm
Weight capacity	125 kg	125 kg
Overall width	62,3 cm	62,3 cm
Overall length	60 cm	60 cm
Depth folded	33 cm	33 cm
Height	80-100 cm	70-81 cm
Bag capacity	25 litre/20 kg	14 litre /20 kg
Wheel diameter	8 inch	8 inch

Check if your delivery is complete

The Rollz Flex comes packed and ready for use. Check that all parts have been supplied. The Rollz Flex comes with:

- 1 inner bag
- 1 user manual.



WARNING!

Keep the plastic packaging materials away from children due to the risk of suffocation.

Reuse

- The Rollz Flex is suitable for reuse.
- For safe handling, pass this Rollz Flex manual on to the new user.
- Before you pass the Rollz Flex to another person, it must first be cleaned and technically checked and disinfected by authorized persons.

Use

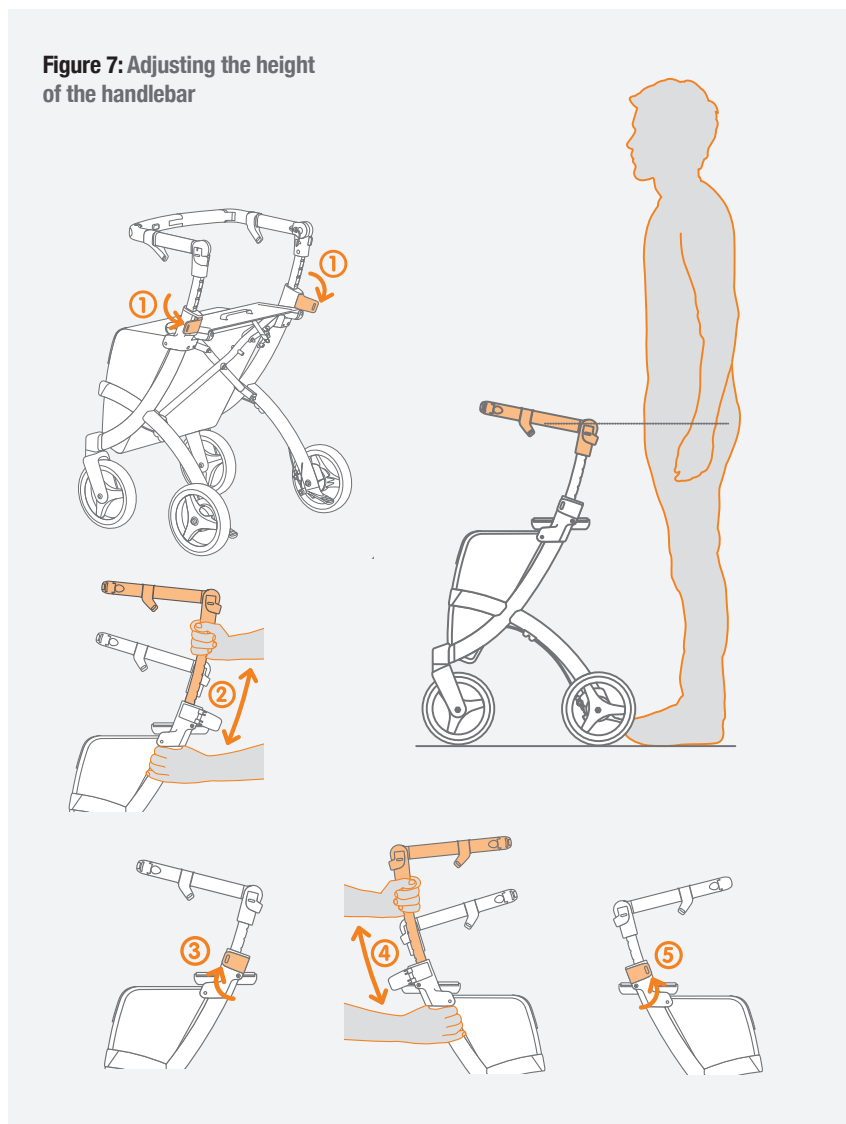
The Rollz Flex comes fully assembled and ready for use. However, the Rollz Flex should be adjusted to meet your personal preferences before use.

Put the handle bar in the correct position (**Figure 2**) and at the height that suits you (**Figure 3**). Study all instructions in this manual carefully before you put the Rollz Flex into operation. Adjust the brakes if necessary.

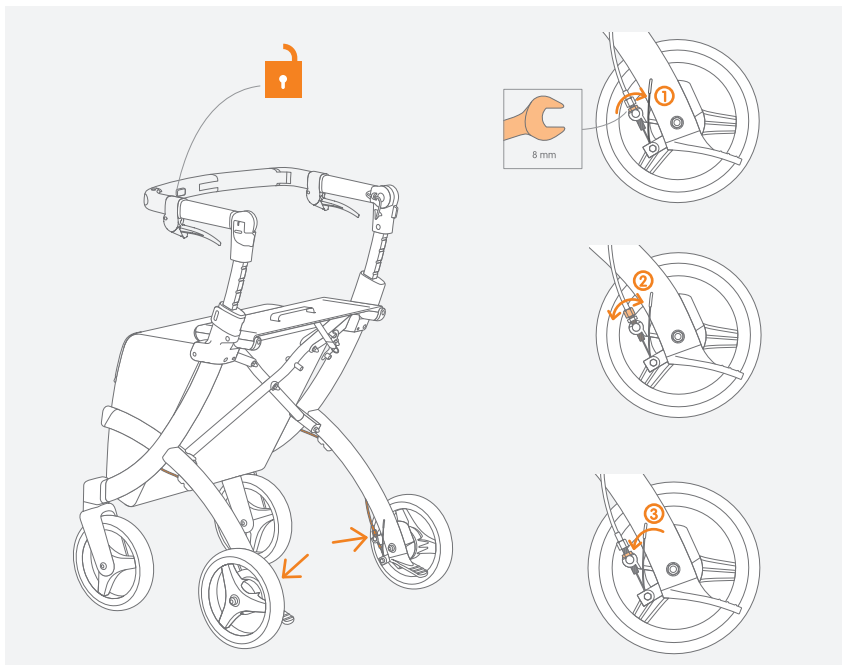
NOTE

The bag of the Rollz Flex is made of durable and water-repellent material (PVC 70%, Polyester 30%). Rollz Flex is equipped with soft tyres made from PU foam.

Adjust the handlebar to user's height (**Figure 7**).



Brake Adjustment



English

DIFFERENT VERSIONS

The Rollz Flex is available in four different versions. This manual applies to all these versions.

Various accessories are available for the Rollz Flex, such as a cane holder and bag holders for extra bags. Please see www.rollz.com for more information or ask your supplier.

Rollz Flex equipped with classic brakes

The Rollz Flex is available with classic brakes as standard (**Figure 8**). This version is designed for people who often use their brakes while walking. These classic brakes are best used when the handlebar is in the rollator position. This way you can easily brake while walking, even if you have less power in your hands. You can also use the classic brakes as parking brakes, for example if you want to sit down (**Figure 5**).

Rollz Flex equipped with flip brakes (custom)

This version (**Figure 9**) is intended for people who seldom use their brakes while walking. This type of flip brake makes the handlebar look streamlined. You can use the flip brakes to brake in all positions of the push bar. You can also put your Rollz Flex on the parking brake with the flip brake (**Figure 6**).

Rollz Flex Small equipped with classic brakes (available in limited countries)

The Rollz Flex Small (**Figure 10**) is designed for everyone for whom the standard Rollz Flex is too large, with a height of 1.40 m to 1.60 m (4' 7" – 5' 3") as a guideline. It is a smaller version, only supplied with classic brakes. The frame and the seat height is 10 cm (3,9") lower than the regular Rollz Flex. The maximum load is equal: 125 kg (275 lb).

The main differences with the standard Rollz Flex are:

- The handlebar is 10 cm (3,9") lower in the lowest position.
- The bag is smaller, the content is 14 litres (3.1 UK gal) compared to 25 litres (5.5 UK gal).

Rollz Flex and Rollz Flex Small, handlebar fixed in rollator position

These versions are only available in the US, Canada and Japan. On delivery the handlebar of this Rollz Flex is fixed in the rollator position (**Figure 11**). This particular version is equipped with classic brakes and available in the standard as well as in the small version.

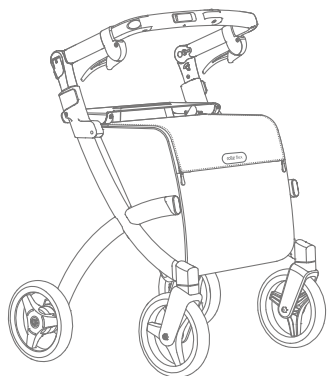


Figure 8: Rollz Flex with classical brakes

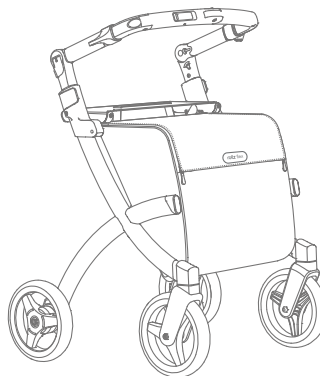


Figure 9: Rollz Flex with flipbrakes

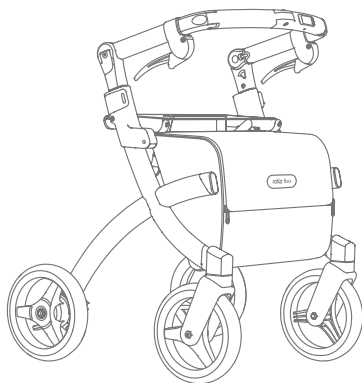


Figure 10: Rollz Flex Small with classical brakes

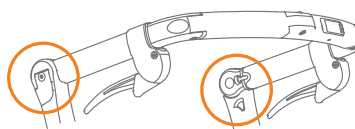


Figure 11: Rollz Flex, pushbar fixed in rollator position

ROLLZ WARRANTY

Please register your Rollz product by completing the registration form at www.rollz.com. Please make sure to enter the serial number of your Rollz Flex, which is located on the backside of the right hinge tube.

In the unlikely event that something is wrong with your Rollz Flex, please contact your supplier first and show your purchase receipt. In some cases, your supplier will be able to repair the defect. In other cases, your supplier will contact your local Rollz distributor to find a solution as quickly as possible, in accordance with the following warranty conditions.

What does the manufacturer's warranty mean?

As a manufacturer, Rollz International BV (hereafter "Rollz") gives a guarantee on the Rollz Flex produced by it (hereinafter "the product") under the following conditions:

1. Rollz gives a 5-year warranty on material and construction faults on the frame during normal use and maintenance.
2. All other parts are subject to a general warranty period of 24 months, with the exception of normal wear and tear due to use.
3. The guarantee period applies from the date of purchase as stated on the proof of purchase.

4. The warranty gives the right to repair, expressly not on exchange or return of a product.
5. The warranty period is never extended, even in case of repairs.
6. The Rollz distributor in your country is responsible for transport to and from the shop where the product was purchased (“the supplier”) at its own risk, but only if it concerns a repair covered by the warranty. The method of shipment is determined in consultation with the supplier.
7. The warranty can only be invoked if you provide the following to the Rollz distributor in your country, together with the defective product: the purchase receipt with the purchase date and a clear description of the complaints.
8. The warranty is not transferable and can therefore only be invoked by the first owner.
9. The warranty does not affect other legal rights you may have by law.

What is not covered by the manufacturer’s warranty?

The manufacturer’s warranty does not apply in the following situations:

1. If you have made changes, modifications or repairs yourself (or if these have been carried out by others) without prior written permission from the Rollz distributor in your country or the supplier.
2. Incorrect assembly or installation of parts of third parties that are not suitable for the product.
3. If defects are caused by neglect or an accident and / or use or maintenance deviating from what is advised in the manual.
4. Unintentional damage, abnormal use, incorrect storage or inadequate care.
5. If the serial number is damaged or removed.
6. Customer dissatisfaction with the product in terms of dimensions, weight, functionality, colour or design.
7. Damage to the product as a result of normal wear and tear.
8. Any discoloration of the frame or parts under the influence of direct or indirect sunlight.
9. Damage caused by improper use or as a result of non-compliance with the instructions in the manual.
10. Costs of shipping the rollator and / or parts to the Rollz distributor in your country if the warranty period has expired.

Submitting a warranty claim

Keep the purchase receipt and make a copy for yourself. In the event of a defect or if you wish to submit a claim covered by this manufacturer's warranty, please contact your supplier first. Your supplier will then contact the Rollz distributor in your country if necessary. If the supplier is no longer available, you can ask the Rollz distributor in your country to refer you to the nearest supplier.

Repair when the warranty period has expired

Have you had your Rollz product for more than two years and is it necessary to repair something?

Please contact your supplier first. Your supplier will coordinate with the Rollz distributor in your country what is the best approach for you, so that your rollator will be back in optimal condition as quickly as possible. You will be notified in advance of the costs of the repair.

Contact Rollz

Rollz International is always keen to improve its products, and therefore we highly appreciate your opinion. Please do contact Rollz International for any other questions or comments you may have regarding use of products, this manual or anything else.

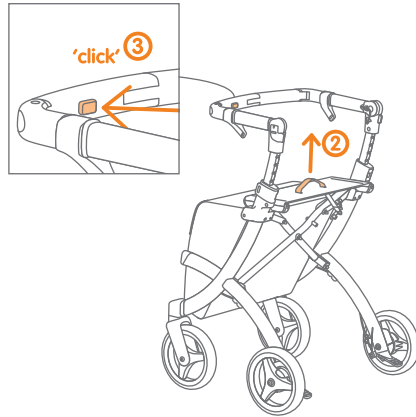
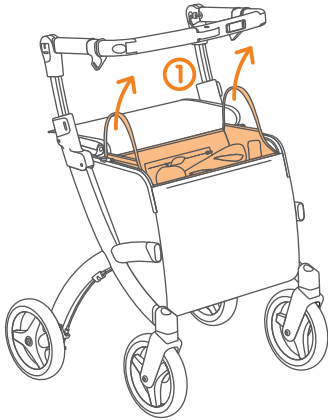
Rollz® International bv

Rotterdamseweg 402M
2629HH Delft
The Netherlands

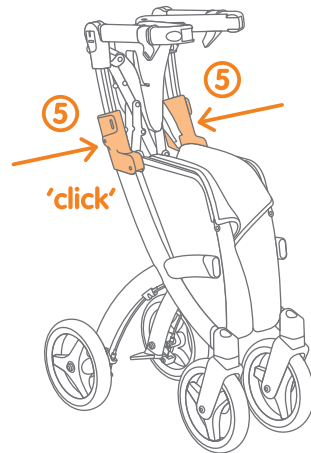
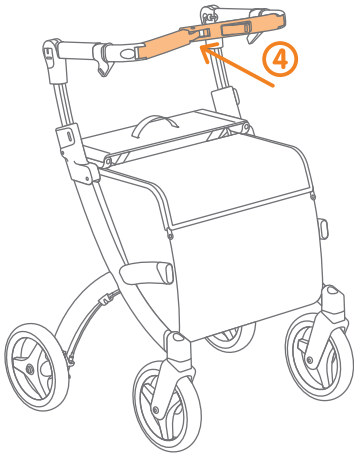
+31 (0)20 362 20 10
info@rollz.com
www.rollz.com

INSTRUCTION DRAWINGS

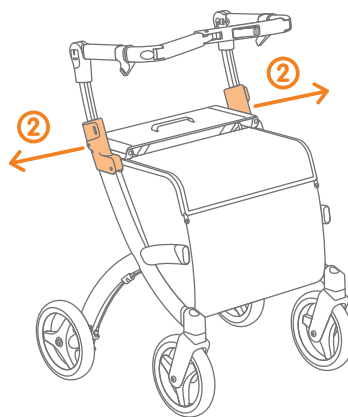
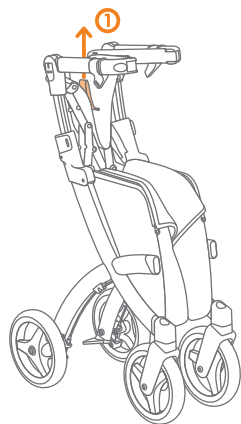
Folding



Caution
Keep hands away from mid-section
to avoid finger entrapment.



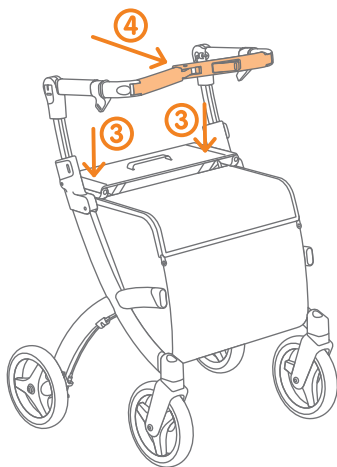
Unfolding



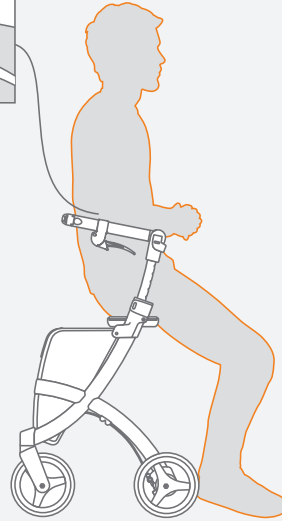
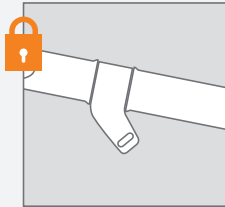
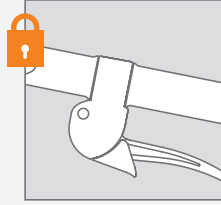
Caution
Press top of seat to avoid
finger entrapment.



Caution
Press top of lever to avoid
finger entrapment.

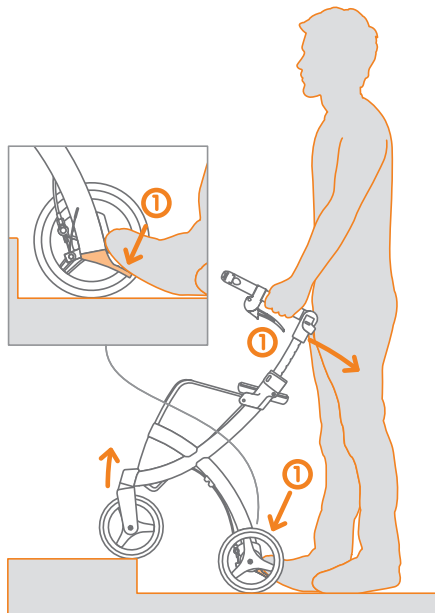
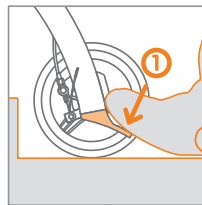


Taking a seat on the Rollz Flex?

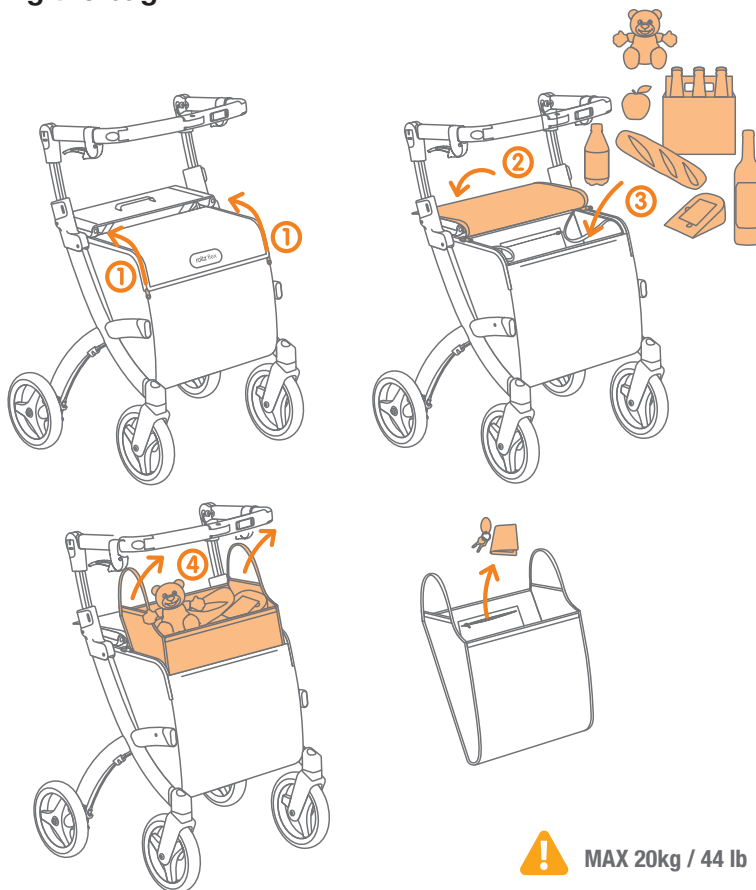


Use the hand brakes before sitting down!

Crossing thresholds and curbs/curb stones/kerbs



Using the bag



English

Removing the inside bag





GEBRUIKSHANDLEIDING

Rollz Flex

Nederlands

NL

Rollz® International BV – Rollz Flex

© Copyright 2021 Rollz® International BV

Rollz International heeft er alles aan gedaan om het veilig gebruik en onderhoud van de Rollz Flex in deze handleiding zo goed mogelijk uit te leggen en te illustreren. Het aangeschafte product kan enigszins verschillen van het product zoals het beschreven is in de gebruiksaanwijzing.

Informatie in dit document kan zonder aankondiging worden gewijzigd. De meest actuele gebruiksaanwijzing kunt u aanvragen bij Rollz International BV of downloaden via www.rollz.nl.

Rollz International BV is niet aansprakelijk te stellen voor technische fouten of onvolkomenheden.

CE-conformiteit

De Rollz Flex voldoet aan de eisen van de Verordening (EU) 2017/745 van het Europees parlement en de raad van 5 april 2017 betreffende medische hulpmiddelen. Op basis van de classificatieregels in Bijlage IX bij deze verordening wordt de Rollz Flex ingedeeld in klasse 1.

De verklaring van conformiteit is uitgegeven onder de verantwoordelijkheid van Rollz International BV, gebaseerd op Bijlage VII bij deze verordening.

Gecertificeerde rollator

In rollatorstand is de Rollz Flex een volledig door de SGS gecertificeerde rollator, getest en akkoord bevonden in overeenstemming met ISO 11199-2.

INHOUDSOPGAVE

Voor u begint	26
Belangrijke informatie	26
Veilig gebruik van de Rollz Flex	27
Waarschuwingen	32
Indicatie voor gebruik van de Rollz Flex	32
Conditie wanneer de Rollz Flex niet geschikt is	32
Technische specificaties	33
Controleer of u alles heeft ontvangen	33
Hergebruik	33
In gebruik nemen	33
Rem afstellen	35
Verschillende uitvoeringen	35
Rollz Flex uitgerust met klassieke remmen	35
Rollz Flex uitgerust met flipremmen	36
Rollz Flex Small uitgerust met klassieke remmen	36
Rollz Flex duwbeugel vastgezet in rollatorstand	36
Garantie	37
Wat houdt de fabrieksgarantie in?	37
Wat wordt niet door de fabrieksgarantie gedekt?	38
Een garantieclaim indienen	39
Reparatie na afloop garantieperiode	39
Contact Rollz	39
Instructietekeningen	40
Inklappen van de Rollz Flex	40
Uitklappen van de Rollz Flex	41
Zitten op de Rollz Flex zitting (eerst op de rem zetten!)	42
Drempels en stoepranden op	42
Tas gebruiken	43
Binnentas er uithalen	43

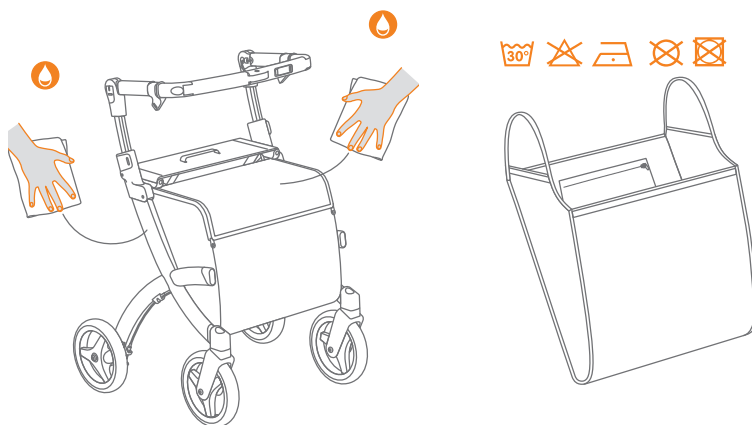
VOOR U BEGINT

Gefeliciteerd met de aankoop van uw Rollz Flex. Met deze handleiding wil Rollz u helpen om veilig en optimaal van de Rollz Flex gebruik te maken. Wij verzoeken u uw aankoop te (laten) registreren op www.rollz.nl

Wij wensen u veel plezier met uw Rollz Flex!

Belangrijke informatie

- Deze handleiding is geschreven voor de Rollz Flex.
- De Rollz Flex is een loophulpmiddel en rollator voor personen tot 125 kg met een lengte tussen de 1,55 en 1,95 m.
- De Rollz Flex Small is een loophulpmiddel en rollator voor personen tot 125 kg met een lengte tussen de 1,40 m en 1,60 m.
- Lees de gebruiksaanwijzing aandachtig door voordat u uw Rollz Flex gebruikt. Bewaar de gebruiksaanwijzing goed om deze ook later te kunnen raadplegen.
- Breng uw veiligheid en die van anderen niet in gevaar door verkeerd gebruik van dit product.
- Om optimaal gebruik te maken van de Rollz Flex, dient deze regelmatig gereinigd te worden (**Figuur 1**).



Figuur 1: Schoonmaken/desinfecteren



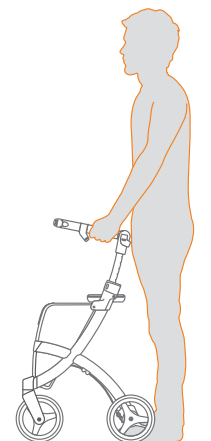
**Frame en tas reinigen met vochtige doek
Binnentas wassen op max 30°C**

- De tas van de Rollz Flex is geschikt voor gebruik tot 20 kg.
- Gebruik alleen originele Rollz accessoires.
- Sla de Rollz Flex uitsluitend droog op, binnenshuis.
- Onderdelen van de Rollz Flex kunnen in de zon iets verkleuren.
- Voorkom blootstelling aan extreme temperaturen.
- Gebruik bij vervanging of reparatie alleen originele of door Rollz International BV goedgekeurde onderdelen.
- De garantie vervalt wanneer het product wordt beschadigd door verkeerd gebruik zoals overbelasting, verkeerd in- of uitklappen, gebruik van niet door Rollz goedgekeurde onderdelen of gebruik van niet originele accessoires. De garantiebepalingen staan in hoofdstuk Garantie van deze handleiding.
- U vindt het serie- en artikelnummer op de productsticker van uw Rollz Flex. Deze bevindt zich op de rechter scharnierbuis aan de achterzijde.
- De Rollz Flex is gepatenteerd en de merknaam en het model zijn beschermd.

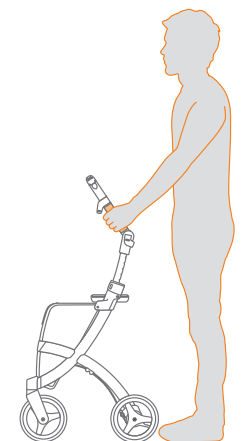
Veilig gebruik van de Rollz Flex

- De Rollz Flex is ontworpen om te ondersteunen bij het lopen, buitenshuis en binnenshuis.
- Zorg dat u zo dicht mogelijk bij de Rollz Flex loopt voor de juiste steun en veiligheid.
- De Rollz Flex biedt de meeste ondersteuning met de duwbeugel geheel naar voren gepositioneerd, van u af. Dat is de rollatorstand. In deze stand kunt u er met uw volle gewicht op steunen (**Figuur 2**).
- Gebruik de Rollz Flex alleen als rollator wanneer de duwbeugel geheel naar voren gepositioneerd. Dat is de rollatorstand. U vindt de afstel mogelijkheden in (**Figuur 3**).
- Gebruik de Rollz Flex niet als een rollator wanneer de duwbeugel in de shopperstand (dus omhoog) of in de kantelstand (geheel naar u toe) staat. In de shopperstand biedt de Rollz Flex slechts een lichte mate van ondersteuning.
- Positioneer uw handen altijd in het midden van de rubberen handgrepen (**Figuur 4**).

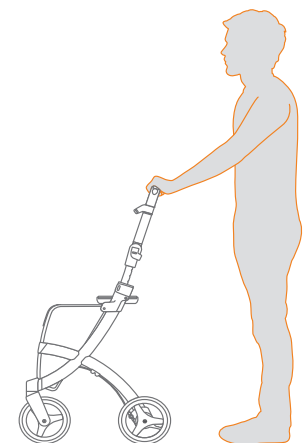
Figuur 2: Posities van de duwbeugel



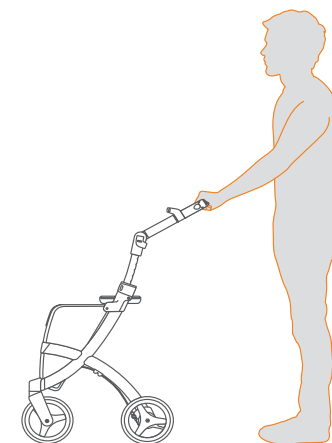
Rollatorstand – maximale steun



Semi-rollatorstand – flinke steun



Shopperstand – lichte steun

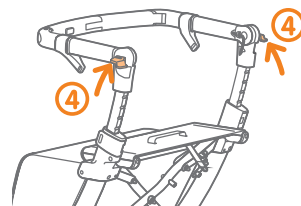
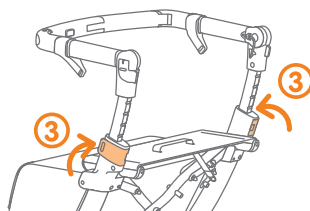
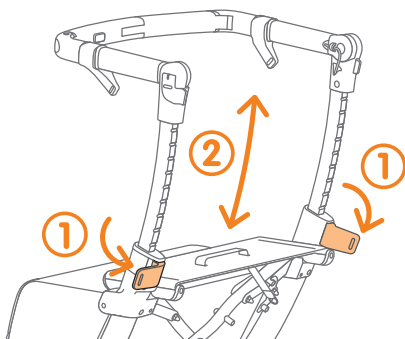


Kantelstand – geen steun

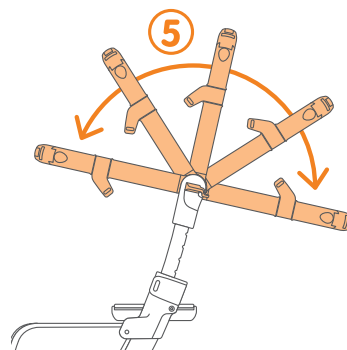
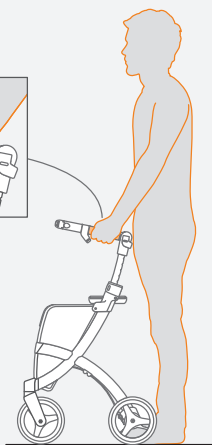
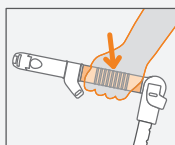
Figuur 3: Stand duwbeugel afstellen



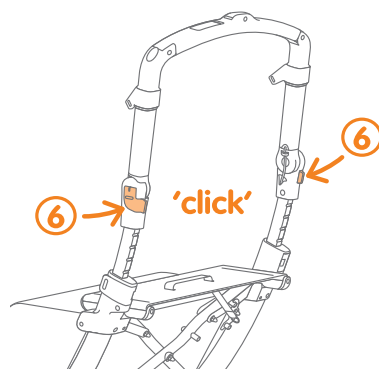
Let op
Druk op de bovenkant van de hendel om te voorkomen dat uw vingers bekneld raken.



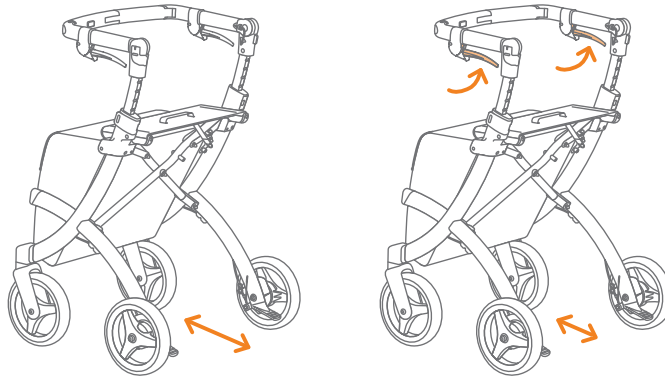
Figuur 4: Correcte positie van de handen



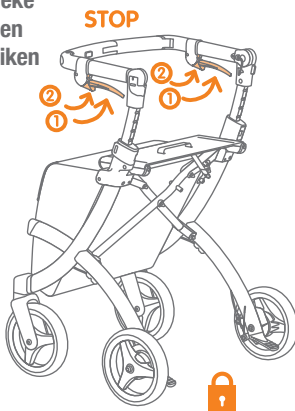
Let op
Druk op de bovenkant van de hendel om te voorkomen dat uw vingers bekneld raken.



- Wanneer u de Rollz Flex niet gebruikt, gebruik dan altijd de parkeerremmen aan beide zijden.
- Controleer altijd de remmen voor het gebruik. Merkt u dat de remmen minder goed functioneren, laat de remmen dan opnieuw afstellen door uw leverancier om verlies van remkracht en onveilige situaties te voorkomen.
- De remmen kunnen licht ingeknepen worden om snelheid te verminderen, maar mogen niet voortdurend remmen tijdens het lopen.
- Wilt u gaan zitten op het zijje van de Rollz Flex? Zorg dat beide remmen op de parkeerrem staan, zowel bij het gaan zitten als bij het weer opstaan (**Figuur 5 en Figuur 6**).

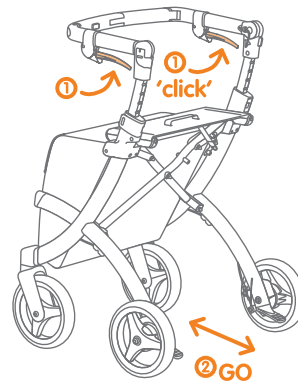


Figuur 5:
De Rollz Flex
klassieke
remmen
gebruiken



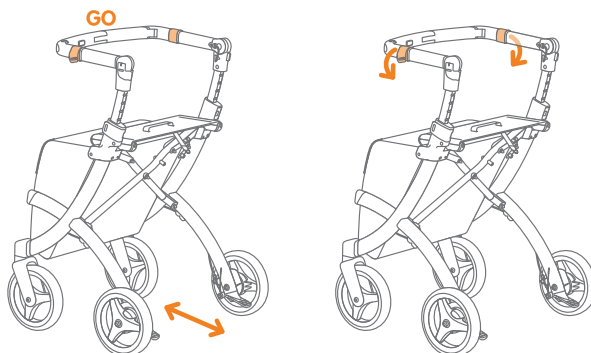
Parkeerrem gebruiken

Remmen

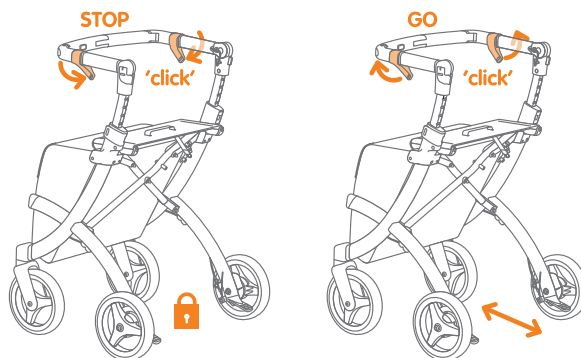


Parkeerremmen ontgrendelen

Figuur 6: De Rollz Flex flipremmen gebruiken



De parkeerrem gebruiken en er af halen



- U kunt alleen veilig op de Rollz Flex zitten als uw voeten tijdens het zitten op de grond kunnen steunen.
- Wilt u de Rollz Flex optillen, bijvoorbeeld om deze in de auto of elders op te bergen of weg te zetten? Indien er spullen in de tas zitten, haal dan eerst de binnentas met inhoud uit de Rollz Flex. Klap de Rollz Flex vervolgens eventueel in. Til het product op aan het metalen frame, niet aan de duwbeugel.
- Voorkom het rijden over uitermate hobbelig en ruw terrein met gaten in het plaveisel. Dan loopt u het gevaar voorover te vallen.
- De Rollz Flex is een loophulpmiddel en een rollator voor één persoon, het is geen rolstoel en kan ook niet als rolstoel gebruikt worden.
- De Rollz Flex is geen buggy en is niet bestemd om kinderen in te rijden of te vervoeren.



Waarschuwingen

- Let er bij het in- en uitklappen van de Rollz Flex op dat u niet bekneld of gesneden raakt.
- Zorg dat alle sluitingen zijn vergrendeld voor gebruik.
- Bent u op reis, en heeft de vervoerder uw rollator weggeborgen, bijvoorbeeld in het ruim van het vliegtuig of in het laadruim van een touringcar of in de achterbak van een taxi? Check uw rollator dan voor gebruik op mogelijke schade.
- De Rollz Flex is ontwikkeld om met gemak de verschillende functies te bedienen. Het is van essentieel belang om regelmatig na te gaan of U als gebruiker in staat bent om alle handelingen zelfstandig uit te voeren of dat u daarbij ondersteuning nodig heeft van andere personen.
- Houd de Rollz Flex uit de buurt van open vuur en andere hittebronnen, zoals elektrische-of gaskachels.
- Reinigen met een desinfectiemiddel dient u over te laten aan daartoe bevoegde personen.
- Gebruik de Rollz Flex niet als een onderdeel gebroken, gescheurd, defect of incompleet is.

Indicatie voor gebruik van de Rollz Flex

De Rollz Flex is een mobiliteitshulpmiddel voor gebruik als rollator (alleen in de rollatorstand) en als shopping trolley. In rollatorstand dient de Rollz Flex ter ondersteuning bij het lopen voor mensen met verminderde bewegingsmogelijkheden, zowel binnens- als buitenshuis. De zitting kan worden gebruikt om voor korte tijd te rusten. Heeft u minder behoefte aan steun, dan kunt u de duwbeugel van de Rollz Flex naar wens omhoog kantelen of helemaal naar u toe in de shopperstand (**Figuur 2 en Figuur 3**). In de vastgezette rollatorstand kan dit enkel worden aangepast met een inbusleutel.

Contra-indicatie wanneer de Rollz Flex niet geschikt is

De Rollz Flex is niet geschikt voor:

- Mensen met visuele waarnemingsstoornissen;
- Mensen met sterke evenwichtsstoornissen die niet in staat zijn de Rollz Flex zelfstandig te bedienen;
- Mensen met een lichaamsgewicht boven de 125 kg.

PRODUCTSPECIFICATIES

	Rollz Flex	Rollz Flex Small
Rollator gewicht	7,7 kg	6,8 kg
Lengte gebruiker	1,55-1,95m	1,40-1,60m
Zithoogte	62 cm	52,5 cm
Zitbreedte	44 cm	44 cm
Maximale belasting	125 kg	125 kg
Breedte	62,3 cm	62,3 cm
Lengte	60 cm	60 cm
Diepte	33 cm	33 cm
Hoogte	80-100 cm	70-81 cm
Capaciteit tas	25 liter/20 kg	14 liter/20 kg
Wiel diameter	8 inch	8 inch

Controleer of u alles heeft ontvangen

De Rollz Flex wordt klaar voor gebruik en verpakt geleverd. Controleer of alle onderdelen geleverd zijn. De Rollz Flex wordt compleet geleverd met:

- 1 binnentas
- 1 handleiding.



WAARSCHUWING

Houd plastic verpakkingsmaterialen uit de buurt van kinderen. Kinderen kunnen dit in hun mond stoppen of over hun hoofd trekken en stikken. Het verpakkingsmateriaal meteen weggoien.

Hergebruik

- De Rollz Flex is geschikt voor hergebruik.
- Let op dat u voor veilig hergebruik ook deze handleiding aan de nieuwe gebruiker overhandigt.
- Voor u de Rollz Flex aan een ander doorgeeft moet deze eerst schoongemaakt zijn en technisch nagekeken en gedesinfecteerd door daartoe bevoegd personen.

In gebruik nemen

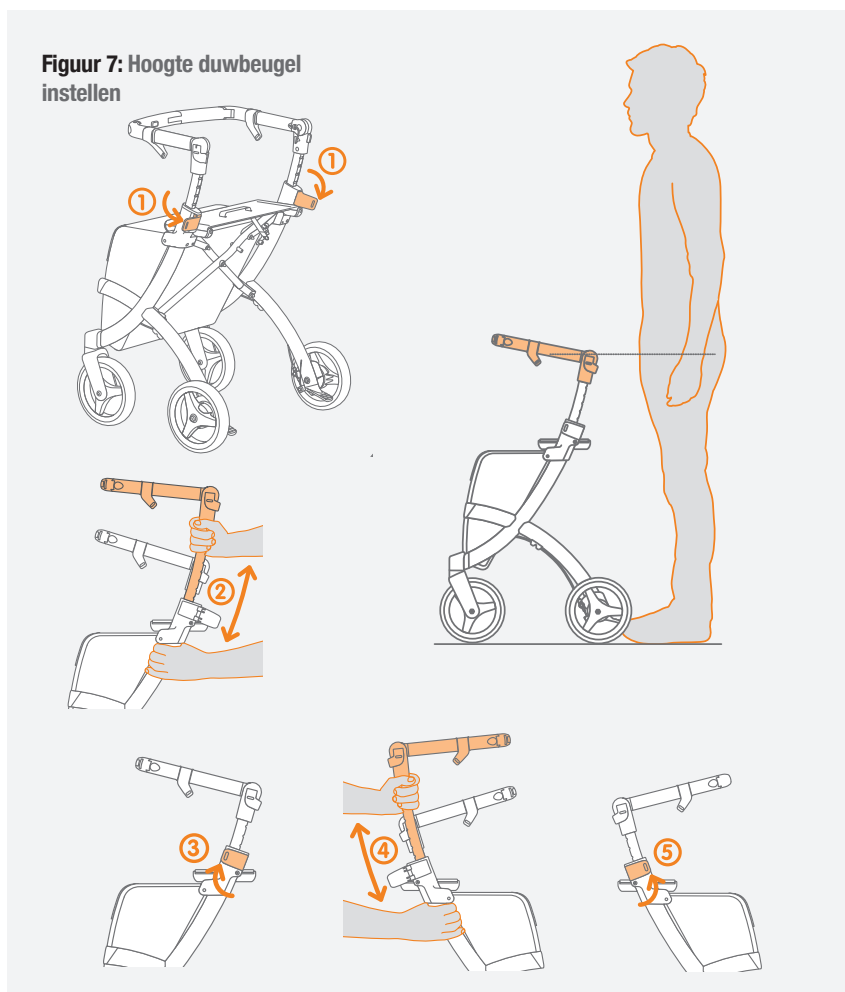
De Rollz Flex wordt volledig gemonteerd en gebruiksklaar geleverd. Echter, de Rollz Flex moet voor gebruik worden aangepast aan uw persoonlijke voorkeuren.

Zet de duwbeugel in de juiste positie (**Figuur 2**) en op de hoogte die bij u past (**Figuur 3**). Bestudeer alle instructies in deze handleiding zorgvuldig voordat u de Rollz Flex in gebruik neemt. Stel zo nodig de remmen bij.

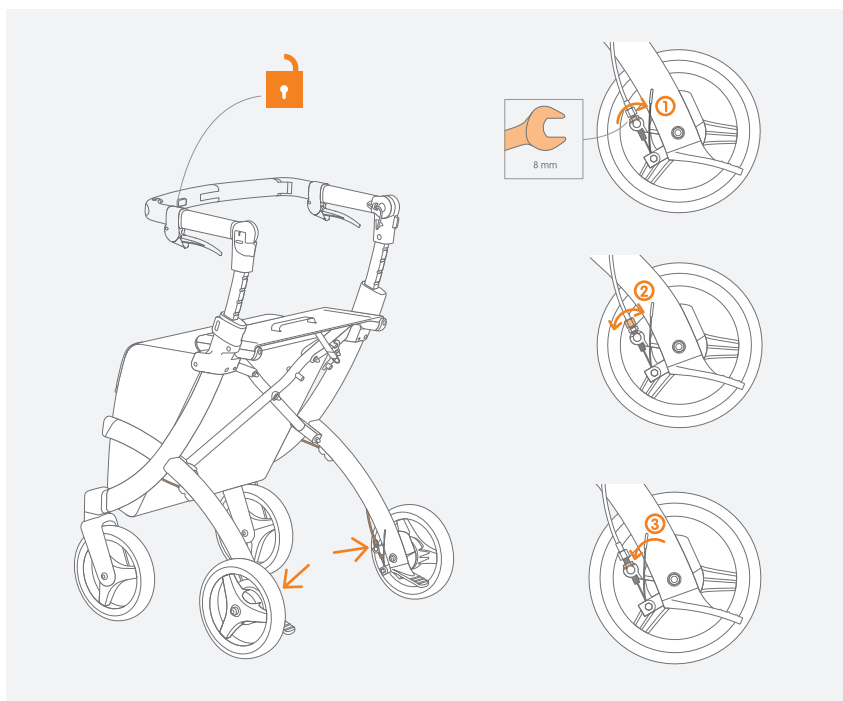
NOTE

De tas van de Rollz Flex is gemaakt van waterafstotend materiaal (PVC 70%, Polyester 30%). De Rollz Flex 2 is voorzien van zachte banden van PU-rubber.

Stel de duwbeugel af op de lengte van de gebruiker (**Figuur 7**).



Rem afstellen



VERSCHILLENDE UITVOERINGEN

De Rollz Flex is verkrijgbaar in vier verschillende uitvoeringen. Op al deze uitvoeringen is de handleiding van toepassing.

Voor de Rollz Flex zijn verschillende accessoires verkrijgbaar, zoals een stokhouder en tashouders voor extra tassen. Zie www.rollz.nl voor meer informatie of vraag uw leverancier.

Rollz Flex met klassieke remmen

De Rollz Flex is standaard verkrijgbaar met klassieke remmen (**Figuur 8**). Deze versie is ontworpen voor mensen die vaak willen remmen tijdens het lopen. Deze klassieke remmen zijn het best te gebruiken als de duwbeugel in de rollatorstand staat. Hiermee kunt u tijdens het lopen makkelijk remmen, ook als u minder kracht in uw handen heeft. U kunt uw rollator met de klassieke remmen ook op de parkeerrem zetten, bijvoorbeeld als u wilt gaan zitten (**Figuur 5**).

Rollz Flex met flipremmen (op maat gemaakt)

Deze versie (**Figuur 9**) is ontworpen voor mensen die niet zo vaak remmen tijdens het lopen. Met de flipremmen kunt u in alle posities bijremmen. Ook kunt u uw Rollz Flex met de fliprem op de parkeerrem zetten (**Figuur 6**).

Rollz Flex Small met klassieke remmen (verkrijgbaar in verschillende landen)

De Rollz Flex Small (**Figuur 10**) is ontworpen voor iedereen voor wie de standaard Rollz Flex te groot is, met een lichaamslengte van 1,40 m tot 1,60 m als richtlijn. Het is een kleinere uitvoering, uitsluitend geleverd met klassieke remmen. Het frame en de zithoogte is 10 cm lager dan bij de gewone Rollz Flex. De maximale belasting is gelijk: 125 kg.

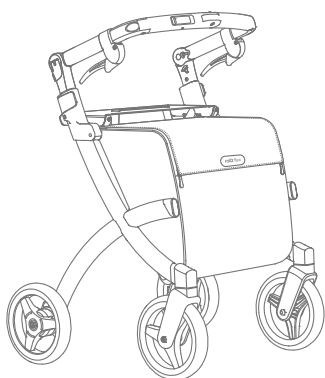
De voornaamste verschillen met de standaard Rollz Flex zijn:

- De duwbeugel is 10 cm lager in de laagste stand.
- De tas is kleiner, de inhoud is 14 liter ten opzichte van 25 liter.

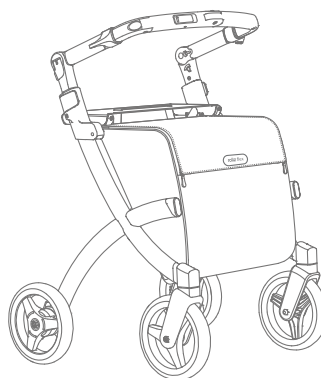
Rollz Flex en Rollz Flex Small, beide vastgezet in rollatorstand

Deze versies zijn alleen verkrijgbaar in de VS, Canada en Japan. De duwbeugel van deze Rollz Flex is bij levering gefixeerd in de rollatorstand (**Figuur 11**).

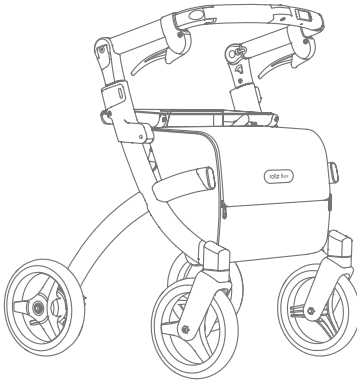
Deze gefixeerde versie is uitgevoerd met klassieke remmen en zowel in de standaard als de small-versie beschikbaar.



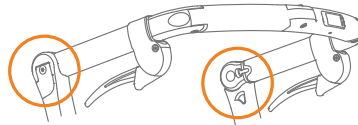
Figuur 8: Rollz Flex met klassieke remmen



Figuur 9: Rollz Flex met flipremmen



Figuur 10: Rollz Flex met klassieke remmen



Figuur 11: Rollz Flex gefixeerd in rollatorstand

ROLLZ GARANTIE

Op www.rollz.nl registreert u eenvoudig uw Rollz product. Noteer hierbij het serienummer van de Rollz Flex, deze bevindt zich op de rechter scharnierbuis aan de achterzijde.

Mocht er onverhoopt iets mankeren aan uw Rollz Flex, richt u zich dan eerst tot de leverancier waar u uw product gekocht heeft met uw aankoopbon. In sommige gevallen zal uw leverancier het mankement zelf met een kleine reparatie kunnen verhelpen. In andere gevallen zal uw leverancier contact opnemen met Rollz om zo snel mogelijk tot een oplossing te komen volgens onderstaande garantievoorwaarden.

Wat houdt de fabrieksgarantie in?

Als fabrikant geeft Rollz International BV (hierna "Rollz") garantie op de door haar geproduceerde Rollz Flex (hierna: "product") onder de volgende bepalingen:

1. Rollz geeft 5 jaar garantie op materiaal- en constructiefouten op het frame bij normaal gebruik en onderhoud.
2. Op alle overige onderdelen geldt een algemene garantietermijn van 24 maanden, met uitzondering van normale slijtage door gebruik.
3. De garantietermijn geldt vanaf de datum van aankoop zoals die op het aankoopbewijs staat.

4. De garantie geeft recht op reparatie, uitdrukkelijk niet op ruilen of terugname van een product.
5. De garantietermijn wordt nooit verlengd, ook niet in geval van reparaties.
6. Rollz draagt voor eigen risico zorg voor het vervoer van en naar de winkel waar het product is aangeschaft (hierna: "leverancier"), echter slechts indien het een reparatie betreft die onder garantie valt. De wijze van verzending wordt in overleg met de leverancier bepaald.
7. De garantie kan slechts worden ingeroepen indien u, samen met het defecte product, het volgende aan Rollz verstrekt: de aankoopbon met aanschafdatum en een duidelijke omschrijving van de klachten.
8. De garantie is niet overdraagbaar en kan dus alleen worden ingeroepen door de eerste eigenaar.
9. De garantie doet niets af aan de wettelijke rechten die u heeft.

Wat wordt níet door de fabrieksgarantie gedekt?

In de volgende situaties geldt de fabrieksgarantie niet:

1. Als u zonder voorafgaande schriftelijke toestemming van Rollz of de leverancier zelf wijzigingen of reparaties heeft aangebracht of heeft laten aanbrengen.
2. Incorrecte montage of installatie van onderdelen van derden die niet geschikt zijn voor het product.
3. Wanneer defecten zijn ontstaan door verwaarlozing of een ongeval en/of gebruik of onderhoud afwijkend van wat er in de handleiding wordt aangegeven.
4. Onopzettelijke of onbedoelde schade, abnormaal gebruik, verkeerde opslag of onvoldoende zorg.
5. Als het serienummer beschadigd of verwijderd is.
6. Ontevredenheid van de klant met het product met betrekking tot afmetingen, gewicht, functionaliteit, kleur of ontwerp.
7. Schade aan het product als gevolg van normale slijtage.
8. Eventuele verkleuring van het frame of onderdelen onder invloed van direct of indirect zonlicht.
9. Schade door verkeerd gebruik of als gevolg van het niet opvolgen van de instructies in de handleiding.
10. Kosten van verzending van de rollator en/of onderdelen naar en van Rollz indien de garantietermijn is verstreken.

Een garantieclaim indienen

Bewaar het aankoopbewijs goed en maak er een kopie van voor uzelf. In geval van een defect of als u een claim wilt indienen die onder deze fabrieksgarantie valt, wordt u verzocht om eerst contact op te nemen met uw leverancier. Uw leverancier zal dan indien nodig contact opnemen met Rollz. Indien de leverancier niet meer beschikbaar is, kunt u Rollz vragen om u door te verwijzen naar de voor u dichtstbijzijnde leverancier.

Reparatie na afloop van garantieperiode

Heeft u uw Rollz product al meer dan twee jaar en is het nodig om een en ander te repareren? Neem dan eerst contact op met uw leverancier. Deze zal met Rollz afstemmen wat voor u de beste aanpak is, zodat uw rollator zo snel mogelijk weer in optimale staat is. U krijgt van te voren gemeld wat de kosten van de reparatie zijn.

Contact Rollz

Omdat Rollz International altijd open staat voor verbetering, horen wij graag uw mening, vragen of opmerkingen. Dit kan gaan om het gebruikersgemak, de handhaving of andere aspecten. Neem contact met ons op.

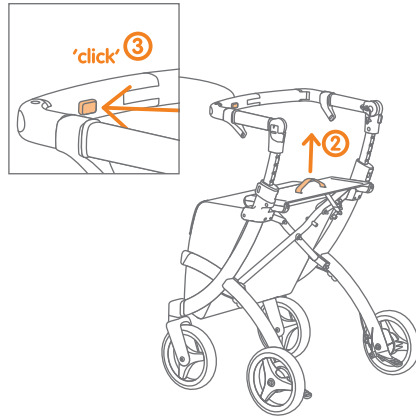
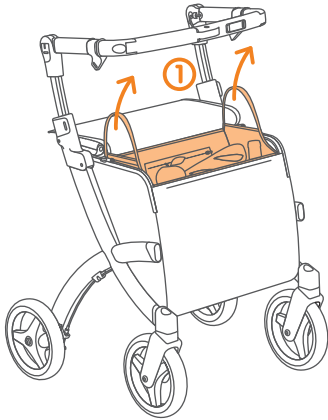
Rollz® International bv

Rotterdamseweg 402M
2629HH Delft
Nederland

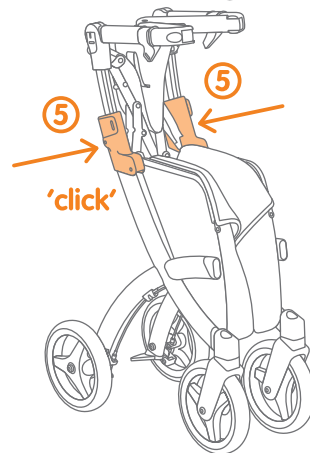
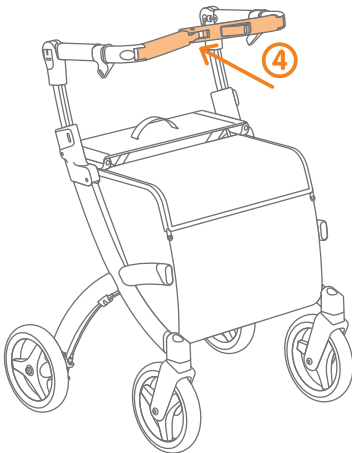
+31 (0)20 362 20 10
info@rollz.com
www.rollz.nl

INSTRUCTIETEKENINGEN

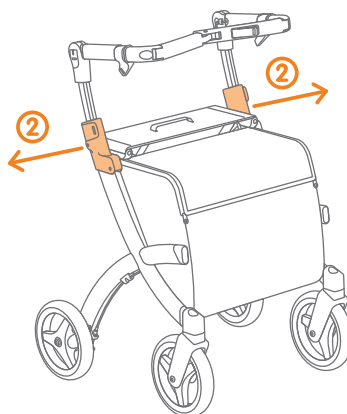
Inklappen



Let op
Houd uw handen uit de buurt van het middengedeelte
om te voorkomen dat uw vingers bekneld raken.



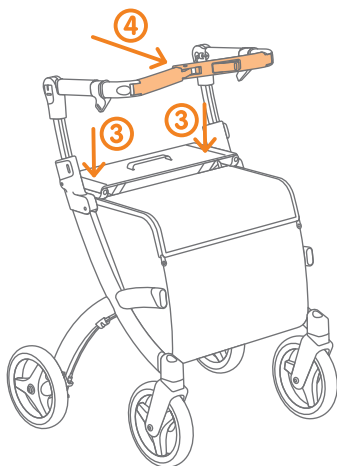
Uitklappen



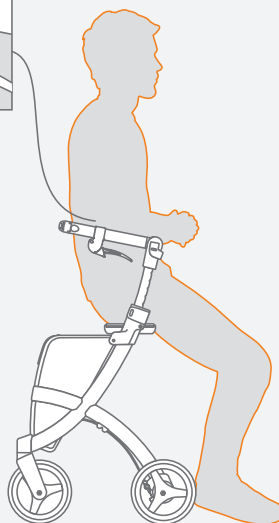
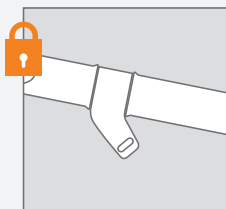
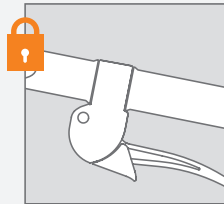
Let op
Druk op de bovenkant van de zitting om beknelling van vingers te voorkomen.



Let op
Druk op de bovenkant van de hendel om te voorkomen dat uw vingers bekneld raken.

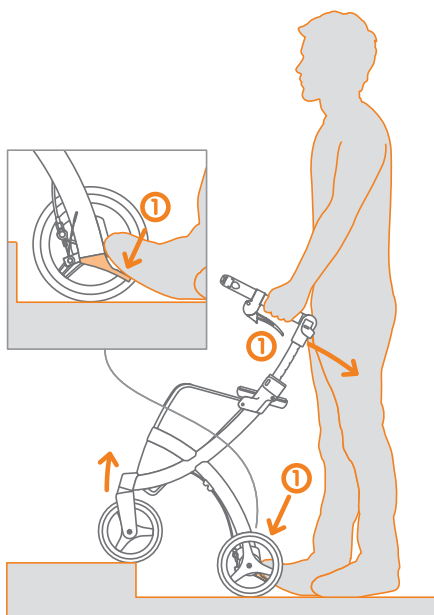
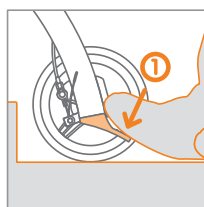


Wilt u rusten
op de Rollz
Flex zitting?

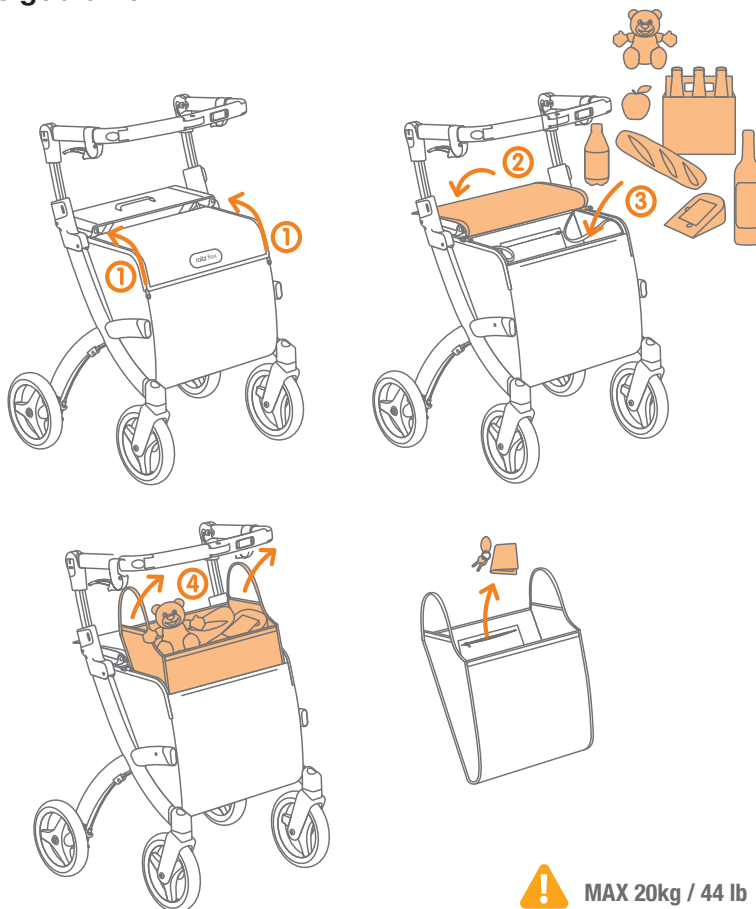


Eerst op de parkeerrem
zetten voor u gaat zitten!

Drempels en
stoepranden op



Tas gebruiken



Nederlands

Binnentas eruihtalen





MANUEL D'UTILISATION

Rollz Flex

FR

Français

Rollz® International BV – Rollz Flex

© Copyright 2021 Rollz® International BV

Rollz International a fait tout son possible pour expliquer et illustrer clairement l'utilisation et la maintenance en toute sécurité du Rollz Flex dans ce manuel.

Les informations contenues dans ce document sont sujettes à modification sans préavis. Vous pouvez demander le dernier manuel de Rollz International BV ou le télécharger sur www.rollz.fr.

Rollz International BV ne peut être tenu responsable des erreurs techniques ou des imperfections

Conformité CE

Le Rollz Flex répond aux exigences de la Directive RÈGLEMENT (UE) 2017/745 DU PARLEMENT EUROPÉEN ET DU CONSEIL du 5 avril 2017 relatif aux dispositifs médicaux. Le Rollz Flex est classé dans la classe 1 sur la base des règles de classification figurant à l'annexe IX de la présente directive.

Cette déclaration de conformité a été établie sous la responsabilité de Rollz International BV, conformément à l'annexe VII de la présente directive.

Certifié

En mode rollator, le Rollz Flex est un rollateur SGS entièrement certifié, testé et approuvé conformément à la norme ISO 11199-2.

CONTENU

Avant de commencer	48
Informations importantes	48
Utilisation sûre du Rollz Flex	49
Avertissements	54
Indication d'utilisation du Rollz Flex	54
Contre-indication lorsque le Rollz Flex ne convient pas	54
Spécifications techniques	55
Vérifiez si vous avez tout reçu	55
Réutilisation	55
Mise en service	55
Réglage du frein	57
Différentes versions	57
Rollz Flex avec des freins classiques	57
Rollz Flex avec freins «flip»	58
Rollz Flex Small avec des freins classiques	58
Rollz Flex fixé en position de déambulateur	58
Garantie	59
Que signifie la garantie du fabricant?	59
Qu'est-ce qui n'est pas couvert par la garantie du fabricant?	60
Soumettre une réclamation de garantie	61
Réparation après l'expiration de la période de garantie	61
Contactez-nous	61
Dessins d'instruction d'utilisation appropriée	62
Plier du Rollz Flex	62
Déplier du Rollz Flex	63
Avant reposer sur le siège du Rollz Flex (mettez-le sur le frein de stationnement d'abord!)	64
Seuils et bordures de trottoirs	64
Utiliser le sac	65
Enlever le sac intérieur	65

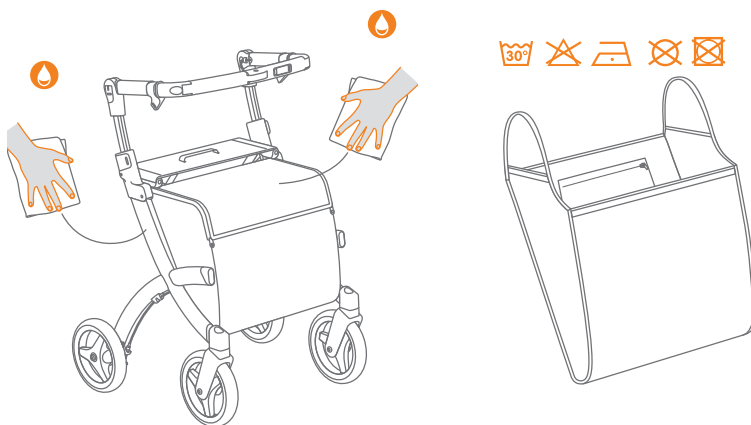
AVANT DE COMMENCER

Félicitations pour l'achat de votre Rollz Flex. Avec ce manuel, Rollz veut vous aider à utiliser votre Rollz Flex pleinement et en toute sécurité. Nous vous invitons d'enregistrer votre achat sur www.rollz.fr

Nous vous souhaitons beaucoup de plaisir avec votre Rollz Flex!

Informations importantes

- Ce manuel est écrit pour le Rollz Flex.
- Le Rollz Flex est une aide à la marche et un déambulateur pour les personnes pesant jusqu'à 125 kg et d'une longueur comprise entre 1,55 et 1,95 m.
- Le Rollz Flex Small est une aide à la marche et un déambulateur pour les personnes pesant jusqu'à 125 kg et d'une longueur comprise entre 1,40 m et 1,60 m.
- Lisez attentivement les instructions dans ce manuel avant d'utiliser votre Rollz Flex. Conservez bien ce manuel d'utilisation pour pouvoir le consulter ultérieurement.
- Ne risquez pas votre sécurité et celle des autres en raison d'une mauvaise utilisation de ce produit.
- Pour optimiser l'utilisation du Rollz Flex, il doit être nettoyé régulièrement. **(Figure 1).**
- Le sac du Rollz Flex peut être utilisé jusqu'à 20 kg.



**Figure 1: Nettoyage/
désinfection**



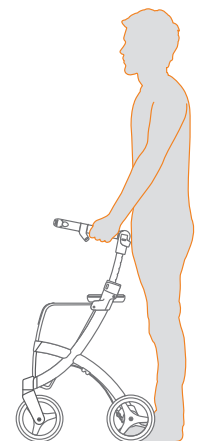
**Nettoyez le cadre et le sac avec un chiffon humide
Laver le sac intérieur à 30°C maximum**

- N'utilisez que des accessoires Rollz d'origine.
- Ranger le Rollz Flex seulement dans un endroit sec à l'intérieur.
- Certaines parties du Rollz Flex peuvent se décolorer légèrement au soleil.
- Évitez l'exposition à des températures extrêmes.
- N'utilisez que l'original ou des pièces approuvées par Rollz pour le remplacement ou la réparation.
- La garantie est annulée si le produit est endommagé en raison d'une utilisation inappropriée, comme une surcharge, un pliage ou un dépliage inadéquat, l'utilisation de pièces non approuvées par Rollz ou l'utilisation d'accessoires non originaux. Les conditions de garantie figurent au chapitre Garantie de ce manuel.
- Vous trouverez le numéro de série et le numéro d'article sur l'autocollant du produit de votre Rollz Flex. Ceci est situé sur le tube de la charnière droite à l'arrière.
- Le Rollz Flex est breveté et la marque et le modèle sont protégés.

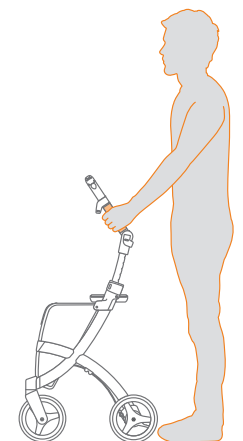
Utilisation sûre du Rollz Flex

- Le Rollz Flex est conçu pour supporter la marche, tant à l'extérieur qu'à l'intérieur.
- Assurez-vous de marcher aussi près que possible du Rollz Flex pour un soutien et une sécurité adéquats.
- Le Rollz Flex offre le meilleur soutien avec la poignée de poussée positionnée complètement vers l'avant, loin de vous. C'est le mode rollator. Dans cette position, vous pouvez compter sur tout votre poids (**Figure 2**).
- Utilisez le Rollz Flex seulement comme déambulateur lorsque la poignée de poussée est entièrement positionnée vers l'avant. C'est le mode rollator. Vous trouverez les options de réglage dans (**Figure 3**).
- La poignée de poussée est-elle dans la position du « shopper » (c'est-à-dire vers le haut) ou dans la position d'inclinaison (tout le chemin vers vous)? N'utilisez pas le Rollz Flex comme un rollator/déambulateur. En mode « shopper », le Rollz Flex n'offre qu'un léger soutien. Voir 4.6 Positions de la poignée de poussée.
- Placez toujours vos mains au milieu des poignées en caoutchouc. Vous pouvez reconnaître l'emplacement correct sur les rainures des poignées (**Figure 4**).

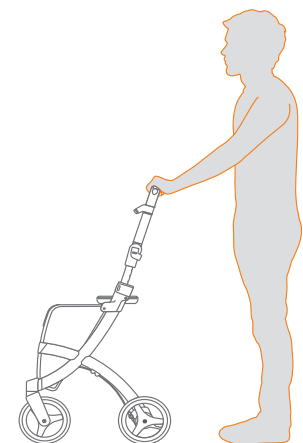
Figure 2: Positions de la poignée de poussée



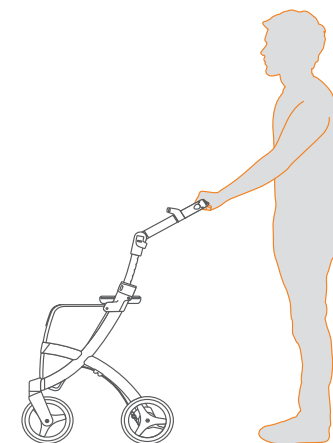
Position du déambulateur – soutien maximal



Position du semi- déambulateur – fort soutien



Position du «shopper» – soutien léger



Position d'inclinaison – pas de soutien

Figure 3: Ajuster la position de la poignée de poussée



Attention

Appuyez sur le haut du levier pour éviter de vous coincer les doigts.

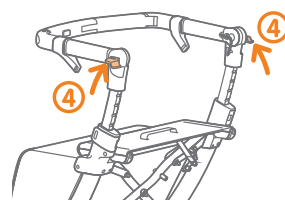
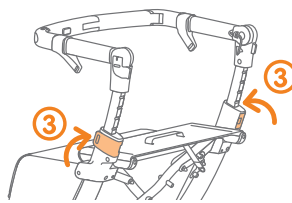
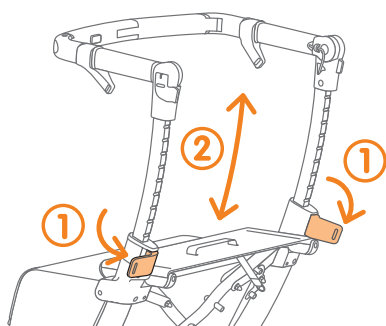
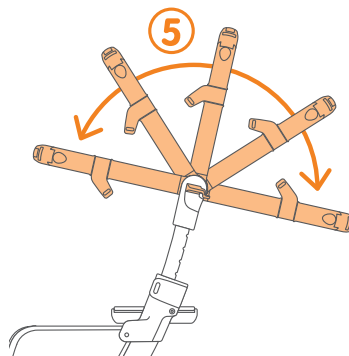
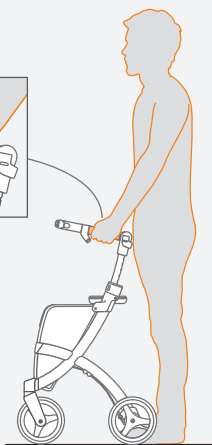
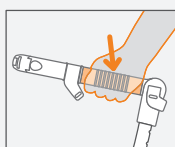
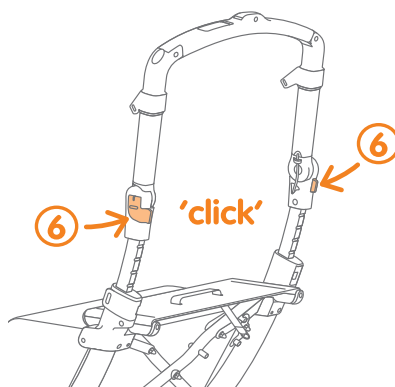


Figure 4: Positions correctes des mains



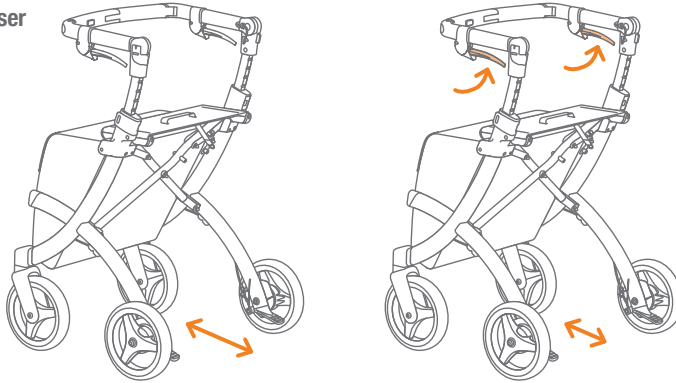
Attention

Appuyez sur le haut du levier pour éviter de vous coincer les doigts.

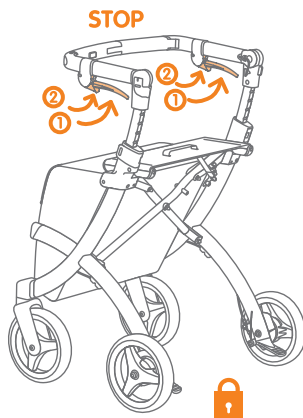


- Lorsque vous n'utilisez pas le Rollz Flex, utilisez toujours les freins de stationnement des deux côtés.
- Vérifiez toujours les freins avant utilisation. Si les freins ne fonctionnent pas correctement, faites ré-ajuster les freins par votre fournisseur pour éviter la perte de freinage et les situations dangereuses.
- Les freins peuvent être légèrement utilisés pour réduire la vitesse, mais ne doivent pas freiner continuellement pendant la marche.
- Souhaitez-vous vous asseoir sur le siège du Rollz Flex? Assurez-vous que les deux freins sont sur le frein de stationnement, à la fois en position assise et en position debout (**Figure 5 et Figure 6**).

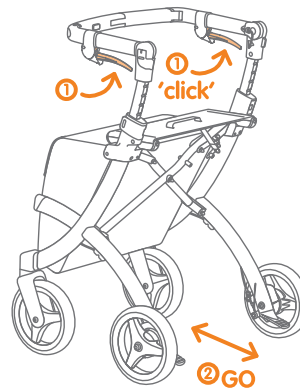
Figure 5: Utiliser des freins classiques



Freinage

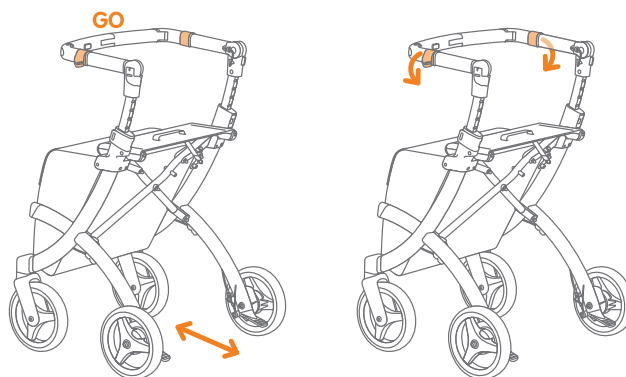


Utiliser des freins de stationnement

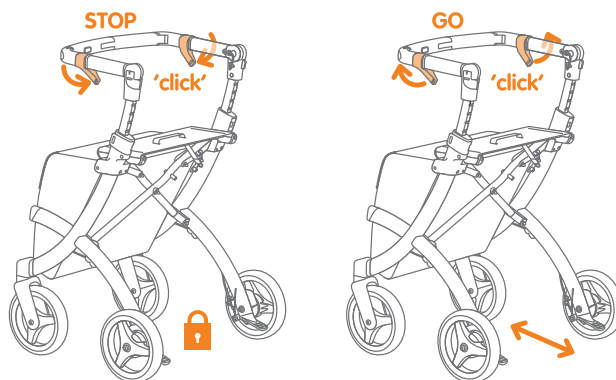


Desserrer des freins de stationnement

Figure 6:
Utiliser de
freins «flip»



Utilisation
des freins de
stationnement et
desserrage des
freins



- Vous pouvez vous asseoir en toute sécurité sur le Rollz Flex si vos pieds peuvent reposer sur le sol en position assise.
- Voulez-vous soulever le Rollz Flex, par exemple pour le ranger dans la voiture ou ailleurs? S'il y a des articles dans le sac, prenez d'abord le sac intérieur avec le contenu du Rollz Flex. Puis pliez le Rollz Flex. Soulevez le produit sur le cadre métallique, pas sur la poignée de poussée.
- Évitez de rouler sur des terrains accidentés ou sur des terrains avec des trous dans la chaussée. Ensuite, vous courez le risque de tomber.
- Le Rollz Flex est une aide à la marche et une rollator/déambulateur pour une personne, ce n'est pas un fauteuil roulant et ne peut pas être utilisé comme fauteuil roulant.
- Le Rollz Flex n'est pas un buggy ou un landau et n'est pas destiné à conduire ou à transporter des enfants.



Avertissements

- Lorsque vous pliez et dépliez le Rollz Flex, assurez-vous que vos doigts ne sont pas pincés.
- Assurez-vous que tous les loquets sont verrouillés avant d'utiliser le Rollz Flex.
- Est-ce que vous voyagez, et le transporteur a-t-il rangé votre déambulateur, par exemple dans la soute de l'avion ou dans la soute d'un autocar ou à l'arrière d'un taxi? Vérifiez ensuite votre rollator pour d'éventuels dommages.
- Le Rollz Flex a été conçu pour exploiter les différentes fonctions avec facilité. Cependant, il est essentiel de vérifier régulièrement si l'utilisateur est capable d'effectuer toutes les actions indépendamment ou si l'utilisateur a besoin du soutien d'autres personnes.
- Gardez le Rollz Flex éloigné des flammes nues et autres sources de chaleur telles que les radiateurs électriques ou à gaz.
- Le nettoyage avec un désinfectant doit être laissé aux personnes autorisées.
- N'utilisez pas le Rollz Flex si une pièce est cassée, déchirée, défectueuse ou incomplète.

Indication d'utilisation du Rollz Flex

Le Rollz Flex est un une aide à la mobilité utilisé comme déambulateur (uniquement en position de déambulateur) et comme un caddy de course. En mode rollator, le Rollz Flex sert de support pour les personnes à mobilité réduite, à l'intérieur comme à l'extérieur. Le siège peut être utilisé pour se reposer pendant une courte période. Si vous avez moins besoin de support, vous pouvez incliner la poignée de poussée de Rollz Flex vers le haut comme vous le souhaitez a position « shopper » ou jusqu'à la fin en position d'inclinaison (**Figure 2 et Figure 3**). Dans la version à guidon fixe, cela ne peut être réglé qu'à l'aide d'une clé Allen.

Contre-indication lorsque le Rollz Flex ne convient pas

Le Rollz Flex ne convient pas pour:

- Les personnes ayant des troubles de la perception visuelle;
- Les personnes ayant de forts troubles de l'équilibre qui ne peuvent pas utiliser le Rollz Flex de manière indépendante;
- Les personnes ayant un poids supérieur à 125 kg.

SPECIFICATIONS TECHNIQUES

	Rollz Flex	Rollz Flex Small
Poids du produit	7,7 kg	6,8 kg
Taille de l'utilisateur	1,55-1,95m	1,40-1,60m
Hauteur de siège	62 cm	52,5 cm
Largeur du siège	44 cm	44 cm
Poids maximum de l'utilisateur	125 kg	125 kg
Largeur	62,3 cm	62,3 cm
Longueur	60 cm	60 cm
Profondeur	33 cm	33 cm
Hauteur	80-100 cm	70-81 cm
Charge maximum du sac	25 litre/20 kg	14 liter/20 kg
Diamètre de la roue	8 inch	8 inch

Vérifiez si vous avez tout reçu

Le Rollz Flex est livré prêt à l'emploi et emballé. Vérifiez que toutes les pièces sont fournies. Le Rollz Flex est livré avec:

- 1 sac intérieur
- 1 manuel d'utilisation



AVERTISSEMENT!

Gardez les matériaux d'emballage en plastique hors de la portée des enfants pour éviter qu'ils ne jouent avec et étouffent. Jetez les matériaux d'emballage immédiatement.

Réutilisation

- Le Rollz Flex est adapté à la réutilisation.
- Veuillez noter que vous remettez également ce manuel d'utilisation au nouvel utilisateur pour une réutilisation en toute sécurité.
- Avant de passer le Rollz Flex à une autre personne, il faut d'abord le nettoyer, le vérifier techniquement et le désinfecter par des personnes autorisées.

Mise en service

Le Rollz Flex est fourni complet pour utilisation et prêt à l'emploi. Le Rollz Flex doit toujours être adapté à vos préférences personnelles.

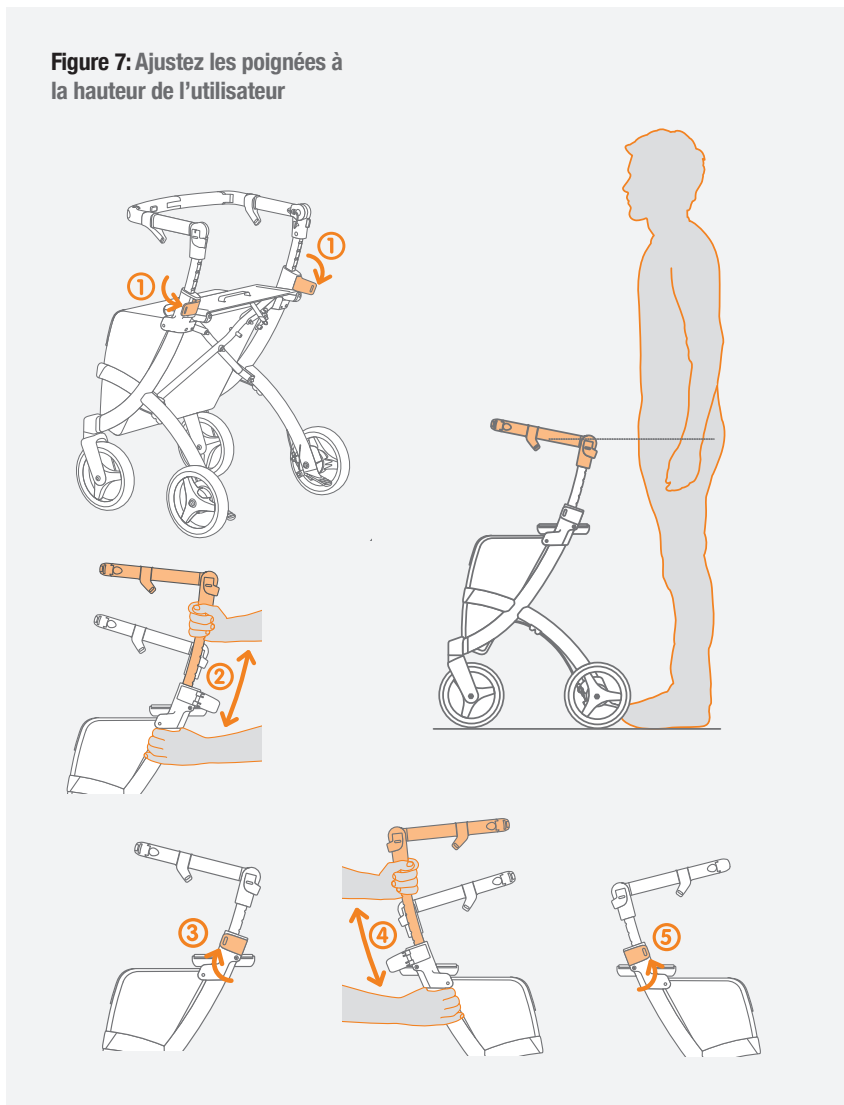
Placez la poignée de poussée dans la bonne position (**Figure 2**) et à la hauteur qui vous convient (**Figure 3**). Lisez attentivement tous les points de ce manuel avant d'utiliser le Rollz Flex. Ajuster les freins si nécessaire.

NOTE

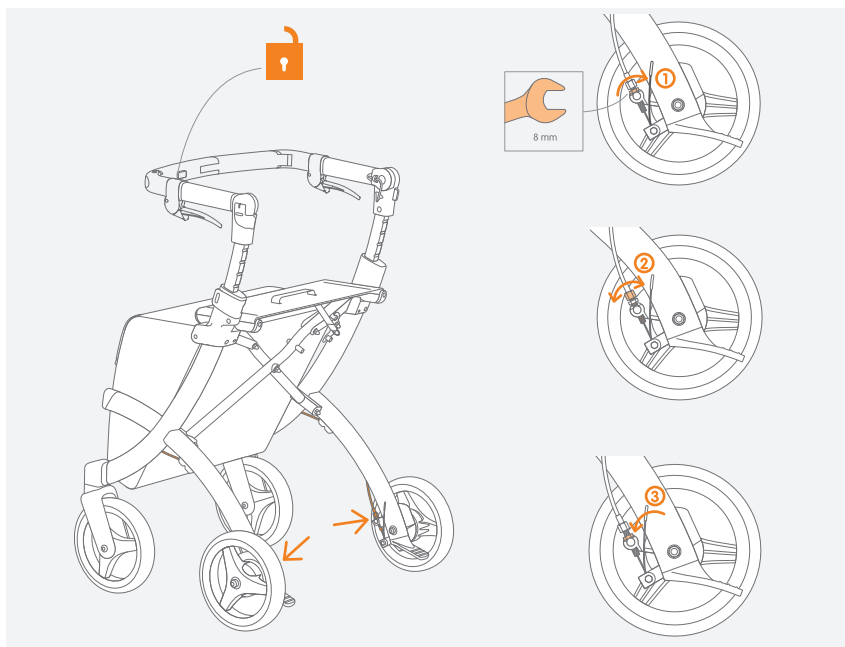
Le sac shopping est composé d'un mélange de PVC (70%) et de polyester (30%).
Le Rollz Flex 2 est équipé de pneus souples en mousse PU.

Ajustez les poignées à la hauteur de l'utilisateur (**Figure 7**).

Figure 7: Ajustez les poignées à la hauteur de l'utilisateur



Réglage du frein



DIFFÉRENTES VERSIONS

Le Rollz Flex est disponible en quatre versions différentes. Le manuel d'utilisation s'applique à toutes ces versions.

Différents accessoires sont disponibles pour le Rollz Flex, comme un porte-canne et des porte-sacs pour des sacs supplémentaires. Voir www.rollz.fr pour plus d'informations ou demandez à votre fournisseur.

Rollz Flex avec des freins classiques

Le Rollz Flex est également disponible avec des freins classiques au lieu de freins «flip» (**Figure 8**). Cette version est conçue pour les gens qui emploient souvent leurs freins en marchant. Ces freins classiques peuvent être utilisés lorsque la poignée de poussée est en position de déambulateur. Donc vous pouvez freiner facilement en marchant, même si vous avez moins de puissance dans vos mains. Vous pouvez mettre votre déambulateur sur le frein de stationnement également avec les freins classiques, par exemple si vous voulez vous asseoir (**Figure 5**).

Rollz Flex avec freins « flip » (fait sur mesure)

Cette version (**Figure 9**) est conçue pour les gens qui n'emploient pas beaucoup les freins en se promenant. Ce type de frein « flip » donne au guidon un aspect simplifié. Vous pouvez utiliser de freins « flip » pour freiner dans toutes les positions. Vous pouvez également mettre votre Rollz Flex sur le frein de stationnement avec le frein à main (**Figure 6**).

Rollz Flex Small avec des freins classiques (disponible dans des pays limités)

Le Rollz Flex Small (**Figure 10**) est conçu pour tous ceux pour qui le Rollz Flex standard est trop grand, avec une longueur de corps de 1,40 m à 1,60 m comme guide. C'est une version plus petite, seulement fournie avec des freins classiques. Le cadre et la hauteur du siège sont inférieurs de 10 cm à ceux du Rollz Flex standard. La charge maximale est égale à : 125 kg.

Les principales différences avec le Rollz Flex standard sont :

- La poignée de poussée est 10 cm plus bas dans la position la plus basse.
- Le sac est plus petit, le contenu est de 14 litres par rapport à 25 litres.

Rollz Flex et Rollz Flex Small fixé en position de déambulateur

Ces versions du Rollz Flex et du Rollz Flex Small ne sont disponibles qu'aux Etats-Unis, au Canada et au Japon. La poignée de poussée de ce Rollz Flex est fixée à la position du rollator à la livraison (**Figure 11**). Cette version fixe est équipée de freins classiques et disponible en version standard ou petite.

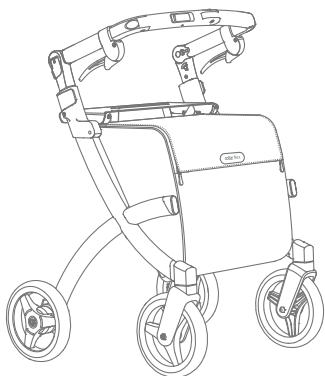


Figure 8: Rollz Flex avec des freins classiques

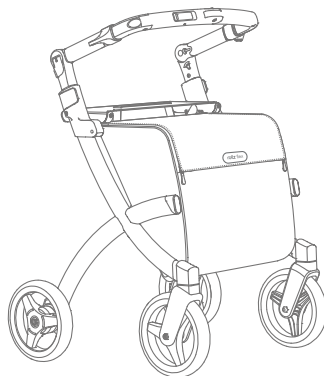


Figure 9: Rollz Flex avec freins « flip »

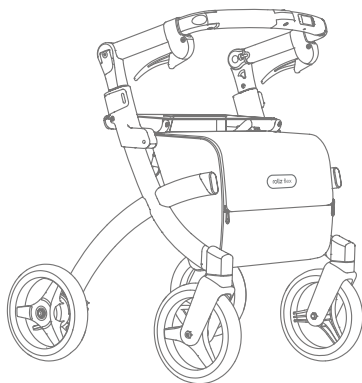


Figure 10: Rollz Flex avec des freins classiques

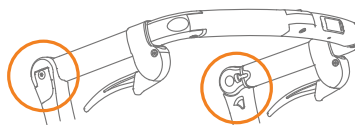


Figure 11: Rollz Flex fixé en position de déambulateur

ROLLZ GARANTIE


Vous pouvez facilement enregistrer votre produit Rollz sur www.rollz.fr. Notez le numéro de série du Rollz Flex, qui se trouve sur le tube de charnière droit à l'arrière.

Dans le cas improbable d'un problème avec votre Rollz Flex, veuillez d'abord contacter le fournisseur auprès duquel vous avez acheté votre produit avec votre reçu d'achat. Dans les autres cas, votre fournisseur contactera votre distributeur Rollz local pour trouver une solution le plus rapidement possible, conformément aux conditions de garantie suivantes.

Que signifie la garantie du fabricant?



En tant que fabricant, Rollz International BV (ci-après "Rollz") donne une garantie sur le Rollz Flex produit par elle (ci-après «le produit») dans les conditions suivantes:

1. Rollz accorde une garantie de 5 ans sur les défauts de matériau et de construction du cadre lors d'une utilisation et d'une maintenance normales.
2. Toutes les autres pièces sont soumises à une période de garantie générale de 24 mois, à l'exception de l'usure normale due à l'utilisation.
3. La période de garantie s'applique à compter de la date d'achat indiquée sur la preuve d'achat.
4. La garantie donne le droit de réparer, expressément pas sur l'échange ou le retour d'un produit.

- 
5. La période de garantie n'est jamais prolongée, même en cas de réparations.
 6. Le distributeur Rollz de votre pays est responsable du transport à destination et en provenance du magasin où le produit a été acheté («le fournisseur») à ses risques et périls, mais seulement s'il s'agit d'une réparation couverte par la garantie. La méthode d'expédition est déterminée en consultation avec le fournisseur.
 7. La garantie ne peut être invoquée que si, avec le produit défectueux, vous fournissez au distributeur Rollz de votre pays: le ticket d'achat avec la date d'achat et une description claire des réclamations.
 8. La garantie n'est pas transférable et ne peut donc être invoquée que par le premier propriétaire. La garantie n'est donc pas transférable.
 9. La garantie n'affecte pas les droits légaux que vous avez.

Qu'est-ce qui n'est pas couvert par la garantie du fabricant?

La garantie du fabricant ne s'applique pas dans les situations suivantes:

- 
1. Si vous avez fait ou avez fait par d'autres des changements, modifications ou des réparations vous-même sans l'autorisation écrite préalable du distributeur Rollz de votre pays ou du fournisseur.
 2. Mauvais assemblage ou installation de pièces de tiers qui ne conviennent pas au produit.
 3. Si les défauts sont causés par une négligence ou un accident et/ou une utilisation ou un entretien différent de ce qui est indiqué dans le manuel d'utilisation.
 4. Dommages involontaires, utilisation anormale, entreposage incorrect ou soins inadéquats.
 5. Si le numéro de série est endommagé ou retiré.
 6. Insatisfaction du client avec le produit en termes de dimensions, poids, fonctionnalité, couleur ou design.
 7. Dommages au produit dus à l'usure normale.
 8. Toute décoloration du cadre ou des parties sous l'influence de la lumière directe ou indirecte du soleil.
 9. Dommages causés par une mauvaise utilisation ou par suite du non-respect des instructions du manuel.
 10. Les frais d'expédition du rollator et/ou des pièces au distributeur Rollz de votre pays si la période de garantie a expiré.
- 



Soumettre une réclamation de garantie

Conservez le reçu d'achat et faites-en une copie pour vous-même. En cas de défaut ou si vous souhaitez soumettre une réclamation couverte par cette garantie du fabricant, veuillez d'abord contacter votre fournisseur. Votre fournisseur contactera alors le distributeur Rollz de votre pays si nécessaire. Si le fournisseur n'est plus disponible, vous pouvez demander au distributeur Rollz de vous référer au fournisseur le plus proche.

Réparation après l'expiration de la période de garantie

Avez-vous possédé votre produit Rollz pendant plus de deux ans et est-il nécessaire de le réparer quelque chose? Veuillez d'abord contacter votre fournisseur. Il coordonnera avec le distributeur Rollz de votre pays qui est la meilleure approche pour vous, afin que votre déambulateur soit dans un état optimal le plus rapidement possible. Vous serez informé à l'avance des coûts de la réparation.

Contactez-nous

Rollz International est toujours soucieux d'améliorer ses produits, c'est pourquoi nous apprécions grandement votre opinion. Veuillez contacter Rollz International pour toute autre question ou commentaire que vous pourriez avoir concernant l'utilisation des produits, ce manuel ou quoi que ce soit d'autre.

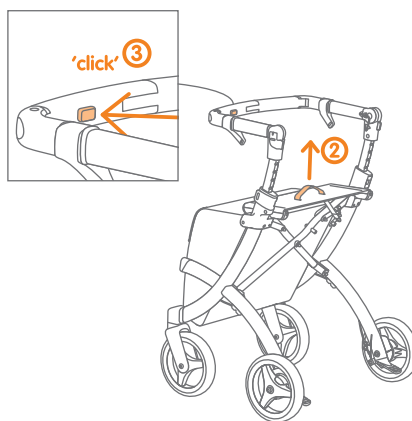
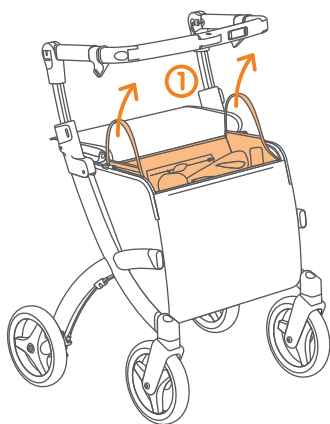
Rollz® International bv

Rotterdamseweg 402M
2629HH Delft
Les Pays-Bas

+31 (0)20 362 20 10
info@rollz.com
www.rollz.fr

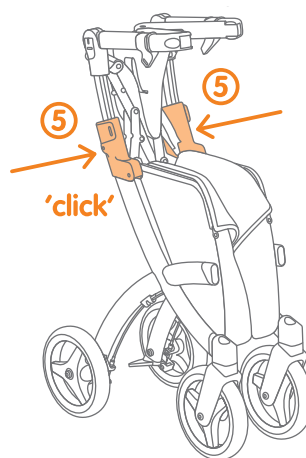
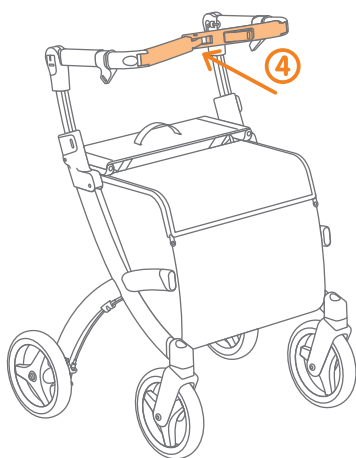
DESSINS D'INSTRUCTION

Plier

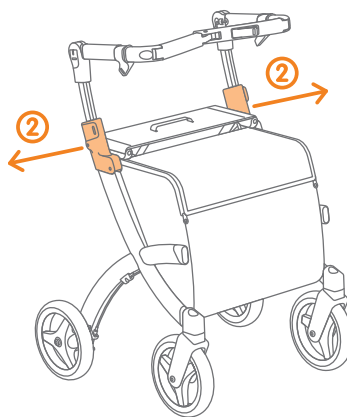
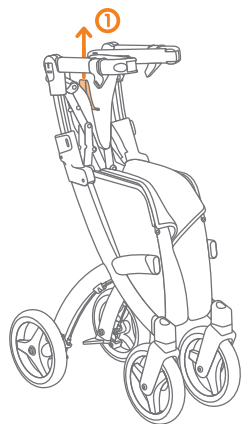


Attention

Gardez les mains éloignées de la section médiane pour éviter de vous coincer les doigts.



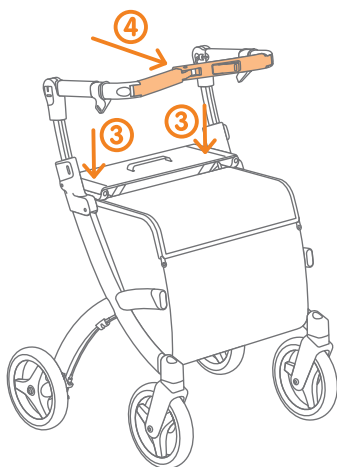
Déplier



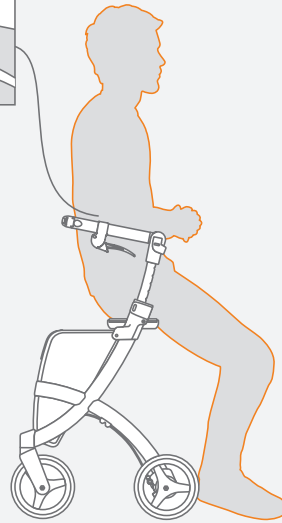
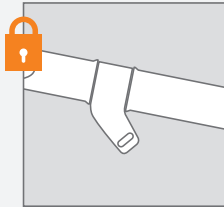
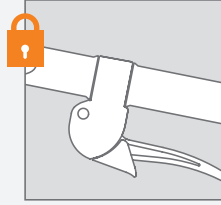
Attention
Appuyez sur le dessus du siège pour éviter de vous coincer les doigts.



Attention
Appuyez sur le haut du levier pour éviter de vous coincer les doigts.

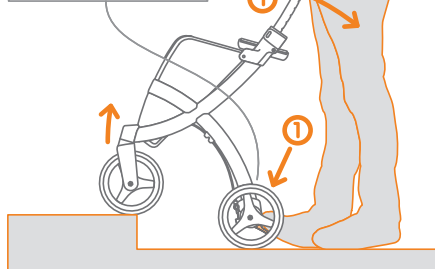
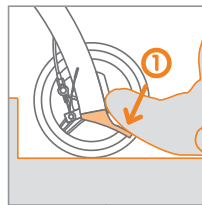


**Avant
reposer sur
le siège du
Rollz Flex**

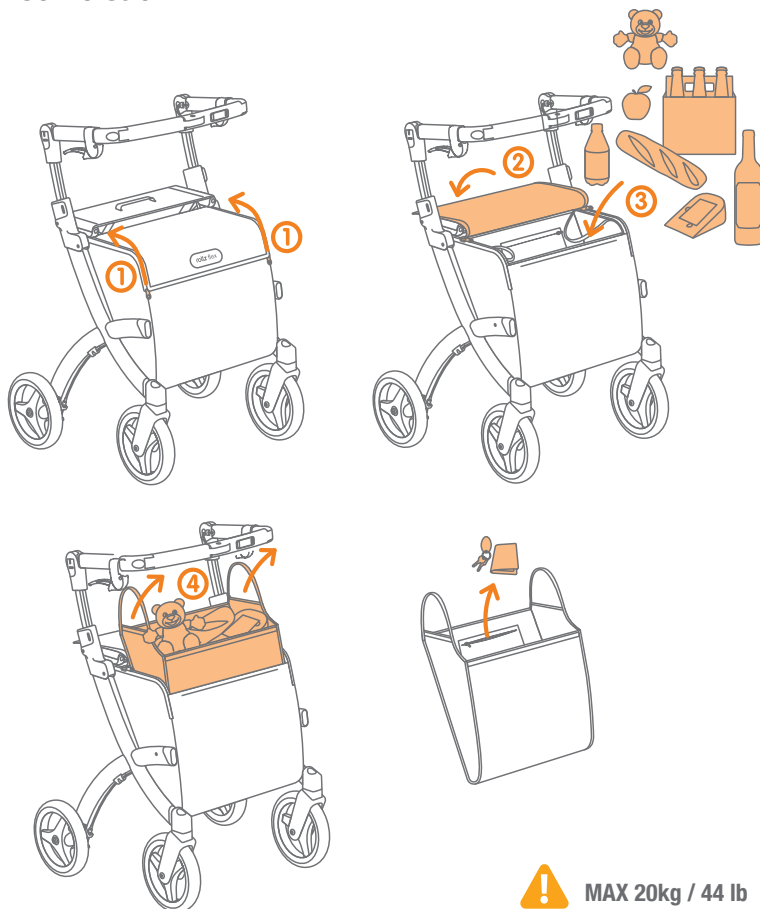


**N'oubliez pas d'utiliser les freins
de stationnement avant de vous
asseoir!**

**Seuils et
bordures de
trottoirs**



Utiliser le sac



Enlever le sac interieur





BEDIENUNGSANLEITUNG

Rollz Flex

DE

Deutsch

Rollz® International BV – Rollz Flex

© Copyright 2021 Rollz® International BV

In dieser Gebrauchsanleitung erklärt und erläutert Rollz International die sichere Nutzung und Wartung des Rollz Flex so gut wie möglich. Das gekaufte Produkt kann geringfügig von dem in dieser Bedienungsanleitung beschriebenen Produkt abweichen.

Die in diesem Dokument enthaltenen Informationen können ohne vorherige Ankündigung geändert werden. Sie können die aktuelle Gebrauchsanleitung von Rollz International BV anfordern oder von www.rollz.de herunterladen.

Rollz International BV kann für technische Fehler oder Mängel nicht haftbar gemacht werden.

CE-Konformität

Der Rollz Flex erfüllt die Anforderungen der VERORDNUNG (EU) 2017/745 DES EUROPÄISCHEN PARLAMENTS UND DES RATES vom 5. April 2017 über Medizinprodukte. Auf der Grundlage der Klassifizierungsregeln in Anhang IX dieser Richtlinie wird der Rollz Flex in die Klasse I eingestuft.

Die Konformitätserklärung wurde in Eigenverantwortung von Rollz International BV auf der Grundlage des Anhangs VII dieser Richtlinie ausgestellt.

Zertifizierter Rollator

Im Rollator-Modus ist der Rollz Flex ein voll zertifizierter Rollator, der vom Prüf- und Produktzertifizierungsinstitut SGS nach ISO 11199-2 geprüft und zugelassen wurde.

INHALT

Bevor Sie beginnen	70
Wichtige Informationen	70
Sicherer Umgang mit dem Rollz Flex	71
Warnungen	76
Hinweis zur Verwendung des Rollz Flex	76
Bedingungen, wenn das Rollz Flex nicht geeignet ist	76
Technische Spezifikationen	77
Überprüfen Sie, ob Ihre Lieferung vollständig ist	77
Wiederverwendung	77
Inbetriebnahme	77
Einstellung der Bremse	79
Verschiedene Versionen	79
Rollz Flex mit klassischen Bremsen	79
Rollz Flex mit Kippbremsen	80
Rollz Flex Small mit klassischen Bremsen	80
Rollz Flex in Rollatorposition gesichert	80
Garantie	81
Was bedeutet die Herstellergarantie?	81
Was ist nicht von der Herstellergarantie abgedeckt?	82
Einreichen eines Garantieanspruchs	83
Reparatur nach Ablauf der Garantiezeit	83
Kontakt mit Rollz	83
Anweisungszeichnungen	84
Falten des Rollz Flex	84
Entfalten des Rollz Flex	85
Auf dem Rollz Flex Sitz sitzen (zuerst die Handbremse anziehen!)	86
Schwellen und Bordsteine	86
Verwenden der Tasche	87
Den Innenbeutel entfernen	87

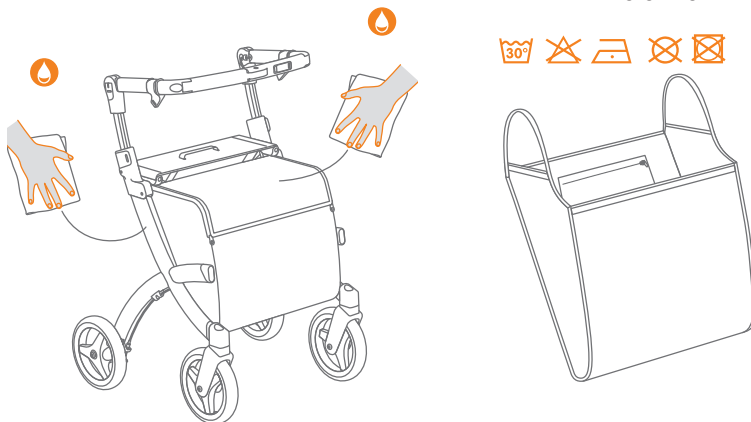
BEVOR SIE BEGINNEN

Herzlichen Glückwunsch zum Kauf Ihres Rollz Flex. Mit dieser Gebrauchsanleitung möchte Rollz Ihnen helfen, den Rollz Flex sicher und optimal zu nutzen. Bitte registrieren Sie Ihren Einkauf auf www.rollz.de.

Wir wünschen Ihnen viel Spaß mit Ihrem Rollz Flex!

Wichtige Informationen

- Diese Bedienungsanleitung ist geschrieben für den Rollz Flex.
- Der Rollz Flex ist eine Gehhilfe und ein Rollator, geeignet für Personen bis 125 kg mit einer Körpergröße zwischen 1,55 und 1,95 m.
- Der Rollz Flex Small ist eine Gehhilfe und ein Rollator für Personen bis 125 kg mit einer Körpergröße zwischen 1,40 m und 1,60 m.
- Lesen Sie die Anweisungen sorgfältig durch, bevor Sie Ihren Rollz Flex verwenden. Bewahren Sie die Bedienungsanleitung gut auf, um sie später zu konsultieren.
- Gefährden Sie nicht Ihre Sicherheit und die anderer Personen aufgrund von unsachgemäßer oder falscher Verwendung dieses Produkts.
- Um den Rollz Flex in optimalem Zustand zu halten, muss er regelmäßig gereinigt werden (**Abbildung 1**).
- Die Rollz Flex Tasche ist für einen Einsatz von Lasten bis 20 kg geeignet.



**Abbildung 1: Reinigung/
Desinfektion**



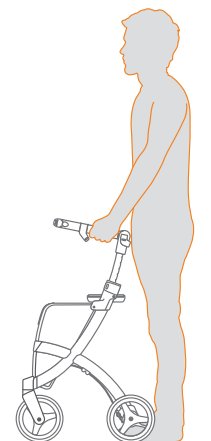
Reinigen Sie den Rahmen und die Tasche mit einem feuchten Tuch
Waschen Sie den Innenbeutel bei maximal 30°C

- Verwenden Sie nur Original-Zubehör von Rollz.
- Lagern Sie den Rollz Flex nur trocken im Innenbereich.
- Teile des Rollz Flex können sich bei Sonneneinstrahlung leicht verfärben oder verblassen.
- Vermeiden Sie extreme Temperaturen.
- Verwenden Sie nur Originalteile, die von Rollz International BV zum Austausch von Teilen oder zur Reparatur freigegeben wurden.
- Die Garantie erlischt, wenn das Produkt durch unsachgemäße Handhabung wie Überladen, falsches Falten oder Entfalten, die Verwendung von Teilen die nicht von Rollz zugelassen sind, oder die Verwendung von nicht originalen Zubehörtteilen beschädigt wird. Die Garantiebedingungen sind in Kapitel Garantie dieser Bedienungsanleitung beschrieben.
- Sie finden die Seriennummer und Artikelnummer auf dem Produktaufkleber Ihres Rollz Flex. Dieser befindet sich auf der Rückseite des rechten Scharnierrohrs.
- Der Rollz Flex ist patentiert und der Markenname und das Modell sind geschützt.

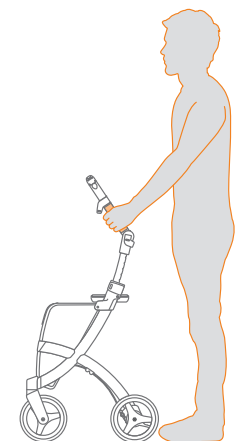
Sicherer Umgang mit dem Rollz Flex

- Der Rollz Flex wurde entwickelt um beim Gehen im Freien und in Innenräumen Unterstützung zu bieten.
- Gehen Sie so nah wie möglich zum Rollz Flex, um die richtige Unterstützung und Sicherheit zu gewährleisten.
- Der Rollz Flex bietet die größte Unterstützung wenn der Schiebegriff ganz nach vorne weg von Ihnen positioniert ist. Das ist der Rollator-Modus. In dieser Position können Sie sich mit vollem Gewicht auf dem Schiebegriff lehnen (**Abbildung 2**).
- Verwenden Sie den Rollz Flex nur dann als Rollator, wenn der Schiebegriff vollständig nach vorne steht. Das ist die Position der Rollator-Modus. Sie finden die Einstellmöglichkeiten in (**Abbildung 3**).
- Ist der Schiebegriff in der Shopper-position (nach oben) oder in der Kippposition (ganz zu Ihnen gerichtet) positioniert? Verwenden Sie den Rollz Flex in diesem Fall nicht als Rollator. Im Shopper-Modus bietet der Rollz Flex nur eine geringe Unterstützung.
- Positionieren Sie Ihre Hände immer in der Mitte der Gummigriffe. Sie können die korrekte Position an den Nuten an den Griffen erkennen (**Abbildung 4**).

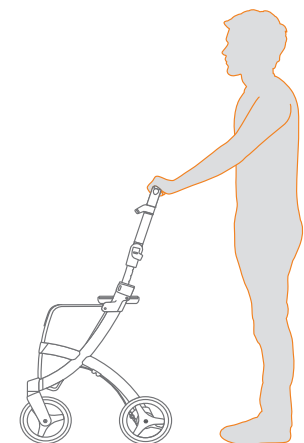
**Abbildung 2: Positionen
des Lenkers**



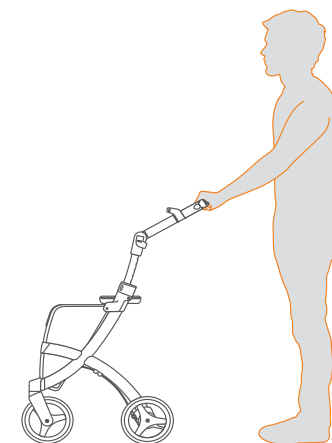
**Rollator Position – maximale
Unterstützung**



**Semi-Rollator Position –
starke Unterstützung**



**Shopper Position –
leichte**



**Kipp Position – keine
Unterstützung**

Abbildung 3: Position des Schiebegriffs einstellenposition



Vorsicht
Drücken Sie oben auf den Hebel, um ein Einklemmen der Finger zu vermeiden.

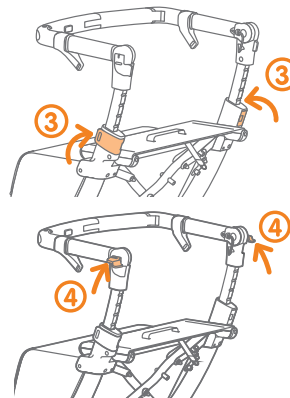
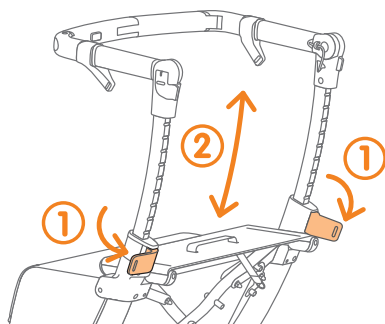
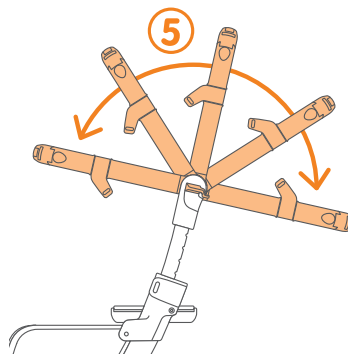
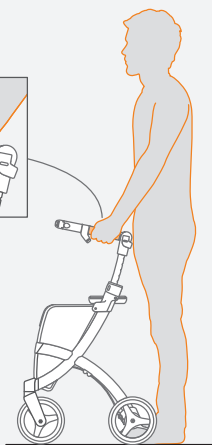
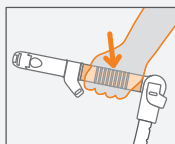
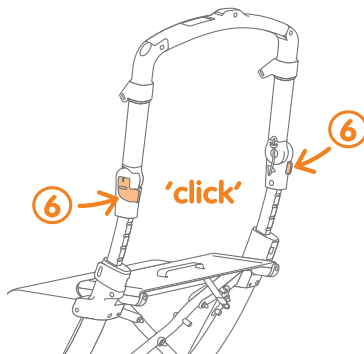


Abbildung 4: Richtige Haltung der Hände

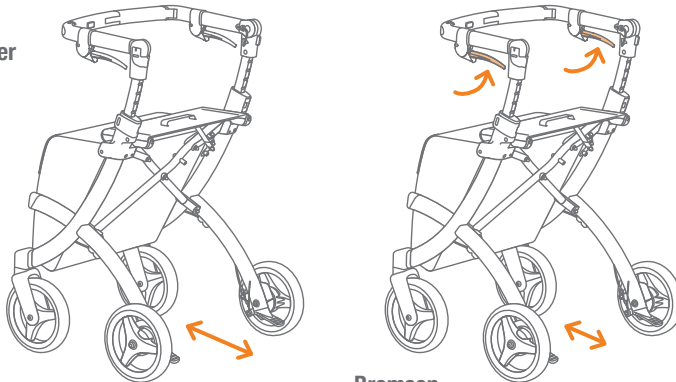


Vorsicht
Drücken Sie oben auf den Hebel, um ein Einklemmen der Finger zu vermeiden.

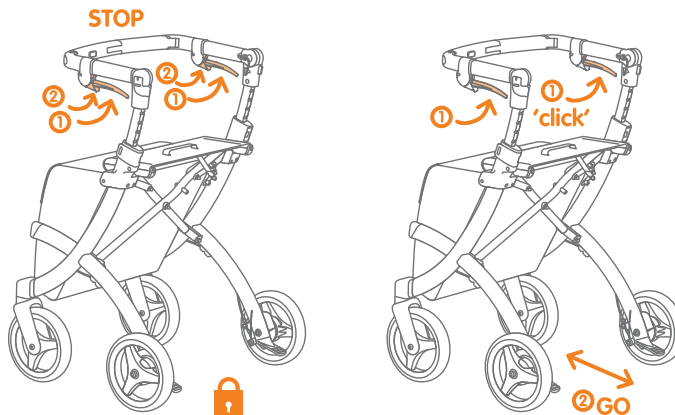


- Wenn Sie den Rollz Flex nicht verwenden, verwenden Sie immer die Feststellbremsen auf beiden Seiten.
- Überprüfen Sie immer die Bremsen vor dem Gebrauch. Wenn die Bremsen nicht richtig funktionieren, lassen Sie die Bremsen neu einstellen, z.B. von Ihrem Lieferanten, um den Verlust von Bremsen und unsicheren Situationen zu verhindern.
- Die Bremsen können etwas gequetscht werden, um die Geschwindigkeit zu reduzieren, können jedoch nicht kontinuierlich während des Gehens bremsen.
- Möchten Sie auf dem Rollz Flex Sitz sitzen? Stellen Sie sicher, dass beide Bremsen an der Feststellbremse sind, sowohl beim Hinsetzen als auch beim Aufstehen (**Abbildung 5 und Abbildung 6**).

Abbildung 5:
Verwenden der
klassischen
Bremsen



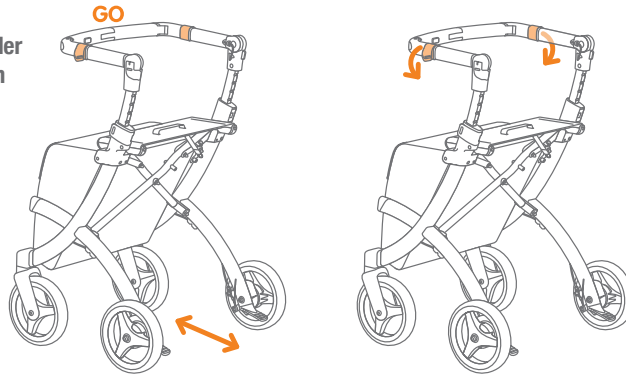
Bremsen



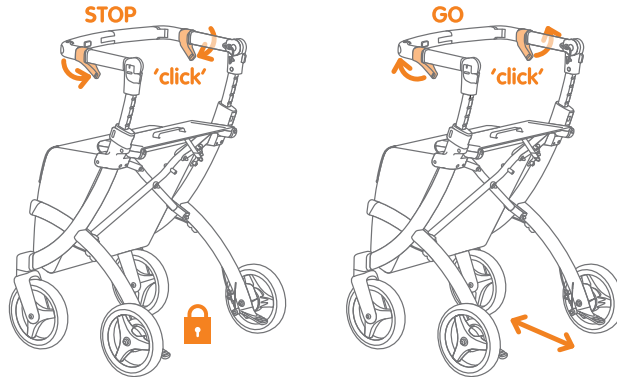
Verwenden der Feststellbremsen

Lösen der Feststellbremsen

Abbildung 6:
Verwenden der
Kippbremsen
brakes



Verwenden
und lösen der
Bremsen



- Sie können nur dann sicher auf dem Rollz Flex sitzen, wenn Ihre Füße im Sitzen auf dem Boden liegen können.
- Möchten Sie den Rollz Flex anheben, um ihn beispielsweise im Auto oder anderswo zu verstauen? Wenn sich Gegenstände in der Tasche befinden, nehmen Sie zuerst die innere Tasche mit ihrem Inhalt aus dem Rollz Flex. Dann den Rollz Flex einklappen. Heben Sie das Produkt am Metallrahmen an, nicht am Schiebegriff.
- Fahren Sie nicht über extrem holpriges und unebenes Gelände mit Löchern im Straßenbelag. In diesem Fall laufen Sie Gefahr umzufallen.
- Der Rollz Flex ist eine Gehhilfe und ein Gehwagen für nur eine Person, es ist kein Rollstuhl und kann nicht als Rollstuhl benutzt werden.
- Der Rollz Flex ist kein Buggy oder Kinderwagen und nicht zum Tragen oder Transportieren von Kindern bestimmt.



Warnungen

- Achten Sie beim Falten und Entfalten des Rollz Flex darauf, dass Ihre Finger nicht eingeklemmt werden.
- Stellen Sie sicher, dass alle Klammern/Verriegelungen für den Gebrauch gesperrt sind.
- Reisen Sie, und hat der Flugbegleiter, Spediteur oder Fahrer Ihren Rollator zum Beispiel im Laderaum des Flugzeugs oder im Frachtraum eines Reisebusses oder hinter in einem Taxi abgelegt? Dann überprüfen Sie Ihren Rollator auf mögliche Schäden.
- Der Rollz Flex wurde entwickelt, um die verschiedenen Funktionen mit Leichtigkeit zu bedienen. Es ist jedoch wichtig, regelmäßig zu überprüfen, ob der Benutzer in der Lage ist, alle Operationen unabhängig auszuführen oder ob der Benutzer Unterstützung oder Hilfe von anderen Personen benötigt.
- Halten Sie den Rollz Flex von offenen Flammen und anderen Wärmequellen wie Elektro- oder Gasheizgeräten fern.
- Die Reinigung mit einem Desinfektionsmittel sollte autorisierten Personen überlassen werden.
- Verwenden Sie den Rollz Flex nicht, wenn ein Teil gebrochen, zerrissen, defekt oder unvollständig ist oder wenn Teile fehlen.

Hinweis zur Verwendung des Rollz Flex

Der Rollz Flex ist eine Mobilitätsgerät für den Einsatz als Rollator (nur in der Rollatorposition) und als Einkaufswagen. Im Rollatorposition bietet der Rollz Flex Unterstützung für gehbehinderte Personen, sowohl innerhalb als auch außerhalb des Hauses. Der Sitz kann für eine kurze Zeit benutzt werden.

Wenn Sie weniger Unterstützung benötigen, können Sie die Rollz Flex-Schiebegriff nach Ihren aktuellen Bedürfnissen neigen; beliebig nach oben im Shopper-position oder nach Ihnen gerichtet im Kipp-position (**Abbildung 2 und Abbildung 3**). In der fixierten Version kann dies nur mit einem Inbusschlüssel eingestellt werden

Bedingungen, wenn der Rollz Flex nicht geeignet ist

Der Rollz Flex ist nicht geeignet für:

- Menschen mit Sehstörungen;
- Personen mit starken Gleichgewichtsstörungen, die den Rollz Flex nicht selbstständig bedienen können;
- Personen mit einem Körpergewicht über 125 kg.

PRODUKTSPEZIFIKATIONEN		
	Rollz Flex	Rollz Flex Small
Rollator Gewicht	7,7 kg	6,8 kg
Körpergröße	1,55-1,95m	1,40-1,60m
Sitzhöhe	62 cm	52,5 cm
Sitzbreite	44 cm	44 cm
Maximale Belastung	125 kg	125 kg
Gesamtbreite	62,3 cm	62,3 cm
Gesamtlänge	60 cm	60 cm
Breite gefaltet	33 cm	33 cm
Griffhöhenbereich	80-100 cm	70-81 cm
Maximale Tasche Inhalt	25 litre/20 kg	14 liter/20 kg
Durchmesser Räder	8 inch	8 inch

Überprüfung ob die Lieferung vollständig ist

Der Rollz Flex wird gebrauchsfertig geliefert, bitte überprüfen Sie bitte, ob alles geliefert ist. Der Rollz Flex wird komplett geliefert mit:

- 1 Innenbeutel
- 1 Anleitung.



WARNUNG!

Halten Sie Kunststoffverpackungen von Kindern fern, wegen der Gefahr des Erstickens. Kinder können dies in den Mund nehmen oder über den Kopf ziehen und ersticken. Entsorgen Sie das Verpackungsmaterial sofort.

Wiederverwendung

- Der Rollz Flex ist zur Wiederverwendung geeignet.
- Geben Sie dieses Rollz Flex Gebrauchsanleitung weiter zur sicheren Wiederverwendung an den neuen Benutzer.
- Bevor Sie den Rollz Flex an eine andere Person weitergeben, muss den Rollator zuerst von autorisierten Personen gereinigt und technisch überprüft und desinfiziert werden.

Inbetriebnahme

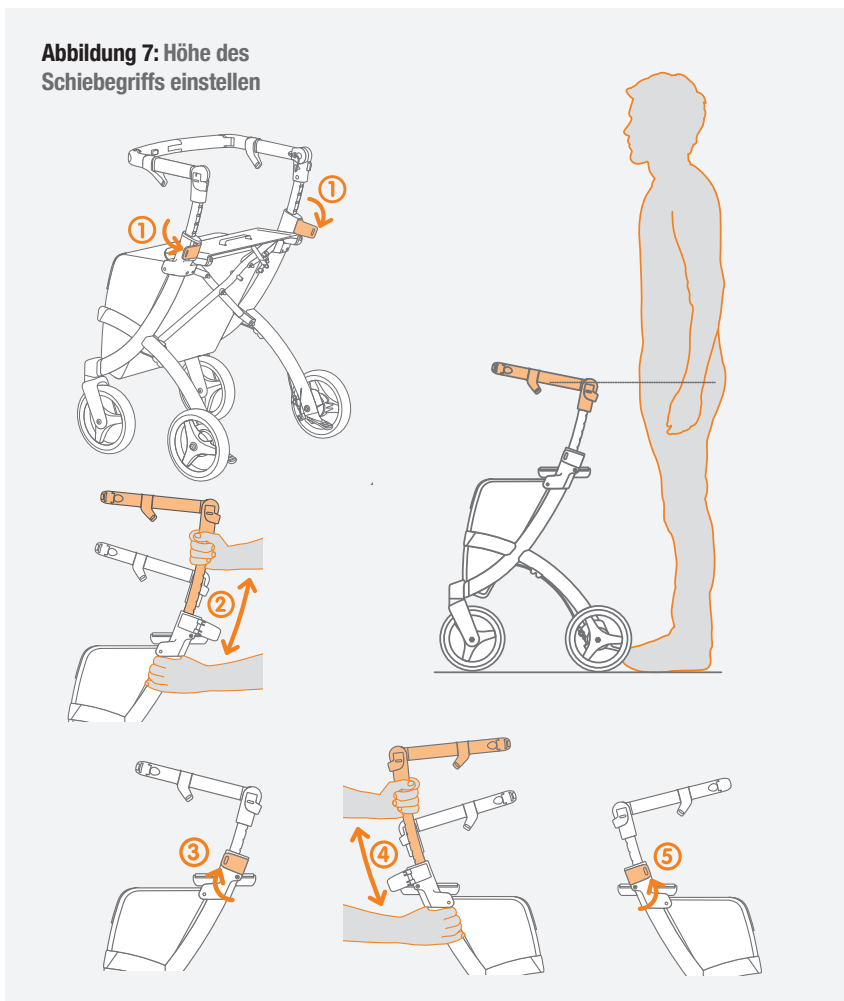
Der Rollz Flex wird komplett und einsatzbereit geliefert. Der Rollz Flex sollte jedoch an Ihre persönlichen Vorlieben und Körpergrößen angepasst werden.

Stellen Sie den Schiebegriff in die richtige Position (**Abbildung 2**) und in der für Sie geeigneten Höhe (**Abbildung 3**) siehe Abbildung Höhe des Schiebegriffs einstellen auf Ihre Größe. Stellen Sie wenn nötig die Bremsen ein.

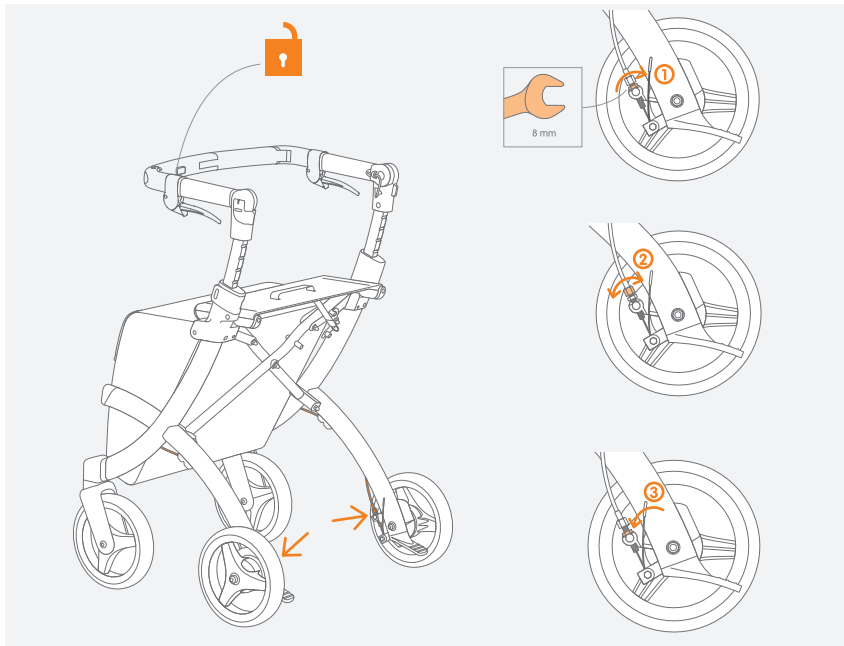
NOTE

Die Einkaufstasche besteht aus einer Mischung aus PVC (70%) und Polyester (30%). Der Rollz Flex 2 ist mit weichen Reifen, aus PU-Schaum, ausgestattet.

Stellen Sie den Lenker auf die Höhe des Benutzers ein (**Abbildung 7**).



Einstellung der Bremse



VERSCHIEDENE VERSIONEN

Der Rollz Flex ist in vier verschiedenen Versionen erhältlich. Diese Gebrauchsanleitung gilt für al diese Versionen.

Für den Rollz Flex gibt es verschiedene Zubehörteile wie einen Gehstockhalter und Taschenhaken für zusätzliche Taschen. Weitere Informationen erhalten Sie unter www.rollz.de oder fragen Sie Ihren Lieferanten.

Rollz Flex mit klassischen Bremsen

Der Rollz Flex ist standardmäßig mit klassischen Bremsen erhältlich (**Abbildung 8**). Diese Version ist für Personen gedacht, die ihre Bremsen häufig beim Gehen benutzen. Diese klassischen Bremsen lassen sich am besten verwenden, wenn sich der Lenker in der Rollatorposition befindet. Auf diese Weise können Sie beim Gehen leicht bremsen, auch wenn Sie weniger Kraft in den Händen haben. Sie können die klassischen Bremsen auch als Feststellbremsen verwenden, z. B. wenn Sie sich hinsetzen möchten (**Abbildung 5**).

Rollz Flex mit Kippbremsen (Einstellung)

Diese Version (**Abbildung 9**) ist für Personen gedacht, die beim Bummel nicht viel bremsen. Diese Art der Kippbremse lässt den Schiebegriff stromlinienförmig aussehen. Mit den Kippbremsen können Sie in allen Positionen der Schiebegriff bremsen. Sie können Ihren Rollz Flex auch mit der Kippbremse auf die Feststellbremse setzen (**Abbildung 6**).

Rollz Flex Small mit klassischen Bremsen (verfügbar in begrenzte Länder)

Der Rollz Flex Small (**Abbildung 10**) ist für alle gedacht, denen der Standard Rollz Flex zu groß ist, mit einer Körperlänge von 1,40 m bis 1,60 m als Richtlinie. Es ist eine kleinere Version, nur mit klassischen Bremsen geliefert. Der Rahmen und die Sitzhöhe sind 10 cm niedriger als beim regulären Rollz Flex. Die maximale Belastung ist gleich: 125 kg.

Die Hauptunterschiede zum Standard Rollz Flex sind:

- Der Schiebegriff ist 10 cm tiefer in der untersten Position.
- Die Tasche ist kleiner, der Inhalt beträgt 14 Liter im Vergleich zu 25 Litern.

Rollz Flex und Rollz Flex Small, beide in Rollatorposition gesichert

Diese Versionen sind nur in den USA, Kanada und Japan verfügbar. Bei Lieferung ist der Schiebegriff dieses Rollz Flex im Rollatorposition gesichert fixiert (**Abbildung 11**). Diese fixierte Version ist mit klassischen Bremsen ausgestattet und sowohl in der Standard- als auch in der Kleinversion erhältlich.

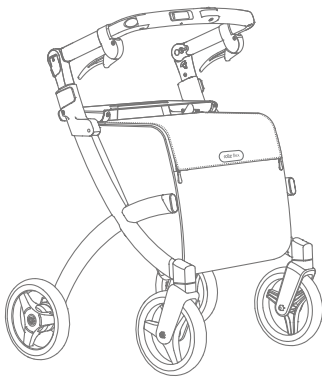


Abbildung 8: Rollz Flex mit klassischen Bremsen

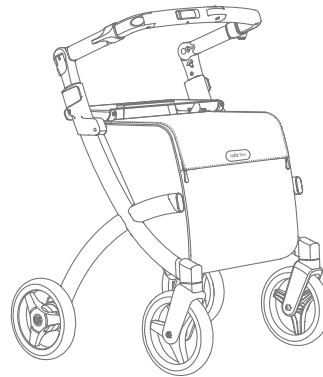


Abbildung 9: Rollz Flex mit Kippbremsen

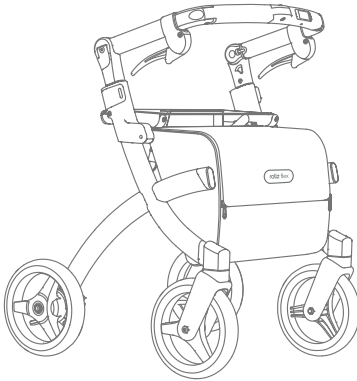


Abbildung 10: Rollz Flex Small mit klassischen Bremsen

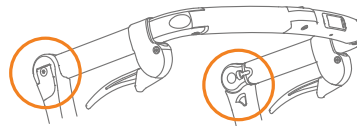


Abbildung 11: Rollz Flex in Rollatorposition gesichert

ROLLZ GARANTIE

Sie können Ihr Rollz-Produkt einfach registrieren indem Sie das Registrierungsformular auf www.rollz.de ausfüllen. Notieren Sie sich die Seriennummer des Rollz Flex, der sich hinten am rechten Scharnierrohr befindet. In dem unwahrscheinlichen Fall, dass etwas mit Ihrem Rollz Flex nicht stimmt, wenden Sie sich zuerst mit Ihrem Kaufbeleg an den Lieferanten, bei dem Sie Ihr Produkt gekauft haben. In einigen Fällen ist Ihr Lieferant in der Lage, den Defekt selbst mit einer kleinen Reparatur zu beheben. In anderen Fällen wird sich Ihr Lieferant an den Rollz Verteiler in Ihrem Land wenden, um so bald wie möglich eine Lösung zu finden, die den folgenden Garantiebedingungen entspricht.

Was bedeutet die Herstellergarantie?

Als Hersteller gewährt Rollz International BV (im Folgenden "Rollz") eine Garantie für den von ihr hergestellten Rollz Flex (nachfolgend "das Produkt") unter folgenden Bedingungen:

1. Auf Material- und Konstruktionsfehler am Rahmen bei normaler Nutzung und Wartung gewährt Rollz 5 Jahre Garantie.
2. Für alle anderen Teile gilt eine allgemeine Gewährleistungsfrist von 24 Monaten, mit Ausnahme der normalen Gebrauchsabnutzung und Verschleiß.
3. Die Garantiezeit gilt ab Kaufdatum, wie auf dem Kaufbeleg angegeben.

4. Die Garantie gibt das Recht auf Reparatur, ausdrücklich nicht auf Austausch oder Rückgabe eines Produkts.
5. Die Garantiezeit verlängert sich nicht, auch nicht im Falle von Reparaturen.
6. Der Rollz Verteiler in Ihrem Land ist verantwortlich für den Transport zum und vom Geschäft, in dem das Produkt gekauft wurde ("der Lieferant"), auf eigenes Risiko verantwortlich, aber nur, wenn es sich um eine Reparatur handelt die von der Garantie abgedeckt ist. Die Versandart wird in Absprache mit dem Lieferanten festgelegt.
7. Die Garantie kann nur geltend gemacht werden, wenn Sie dem Rollz Verteiler in Ihrem Land zusammen mit dem fehlerhaften Produkt Rollz folgendes zur Verfügung stellen: den Kaufbeleg mit dem Kaufdatum und eine klare Beschreibung der Reklamationen.
8. Die Garantie ist nicht übertragbar und kann daher nur vom Erstbesitzer geltend gemacht werden.
9. Die Garantie hat keine Auswirkungen auf andere Rechte, die Ihnen gesetzlich zustehen.

Was ist nicht von der Herstellergarantie abgedeckt?

Die Herstellergarantie gilt nicht in den folgenden Situationen:

1. Wenn Sie Änderungen, Modifikationen oder Reparaturen selbst vorgenommen haben (oder wenn diese von Dritten durchgeführt wurden), ohne vorherige schriftliche Genehmigung des Rollz-Verteilers in Ihrem Land oder des Lieferanten.
2. Falsche Montage oder Installation von Teilen Dritter, die für das Produkt nicht geeignet sind.
3. Wenn Defekte durch Vernachlässigung oder Unfall und/oder Gebrauch oder Wartung verursacht werden, die von den Anweisungen in der Bedienungsanleitung abweichen.
4. Unbeabsichtigte Beschädigung, abnormale Verwendung, falsche Lagerung oder unzureichende Pflege.
5. Wenn die Seriennummer beschädigt oder entfernt wurde.
6. Unzufriedenheit des Kunden mit dem Produkt in Bezug auf Abmessungen, Gewicht, Funktionalität, Farbe oder Design.
7. Schäden am Produkt durch normale Abnutzung.

8. Jede Verfärbung des Rahmens oder der Teile unter dem Einfluss direkter oder indirekter Sonneneinstrahlung.
9. Schäden, die durch unsachgemäßen Gebrauch oder durch Nichtbeachtung der Anweisungen in der Bedienungsanleitung entstanden sind.
10. Kosten für den Versand des Rollators und/oder der Teile an den Rollz-Verteiler in Ihrem Land, wenn die Gewährleistungsfrist abgelaufen ist.

Einreichen eines Garantieanspruchs

Bewahren Sie den Kaufbeleg auf und machen Sie eine Kopie für sich. Im Falle eines Defekts oder wenn Sie einen Anspruch geltend machen möchten, der von dieser Herstellergarantie abgedeckt ist, wenden Sie sich bitte zuerst an Ihren Lieferanten. Bei Bedarf wird Ihr Lieferant den Rollz-Verteiler in Ihrem Land kontaktieren. Wenn der Lieferant nicht mehr verfügbar ist, können Sie den Rollz-Verteiler in Ihrem Land bitten, Sie an den nächstgelegenen Lieferanten zu verweisen.

Reparatur nach Ablauf der Garantiezeit

Haben Sie Ihr Rollz Produkt seit mehr als zwei Jahren und müssen Sie das eine oder andere reparieren? Bitte kontaktieren Sie zuerst Ihren Lieferanten. Ihr Lieferant wird mit dem Rollz-Verteiler in Ihrem Land besprechen, was der beste Ansatz für Sie ist, damit Ihr Rollator so schnell wie möglich in einem optimalen Zustand ist. Sie werden im Voraus über die Reparaturkosten informiert.

Kontakt zu Rollz

Rollz International ist stets bestrebt, seine Produkte zu verbessern, und ist daher sehr an Ihrer Meinung interessiert. Bitte wenden Sie sich an Rollz International, wenn Sie weitere Fragen oder Kommentare zur Verwendung der Produkte, zu diesem Handbuch oder zu anderen Themen haben.

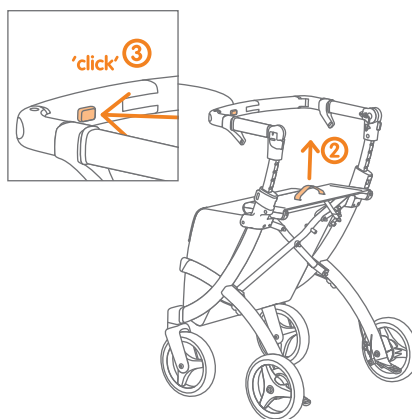
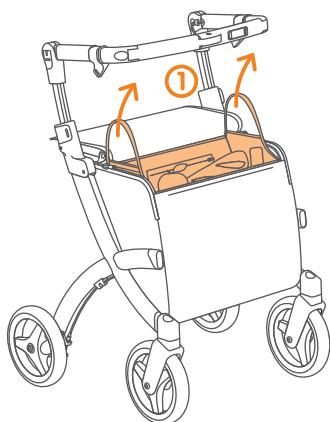
Rollz® International bv

Rotterdamseweg 402M
2629HH Delft
Niederlande

+31 (0) 20 362 20 10
info@rollz.com
www.rollz.de

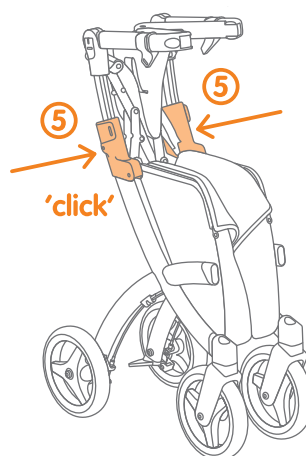
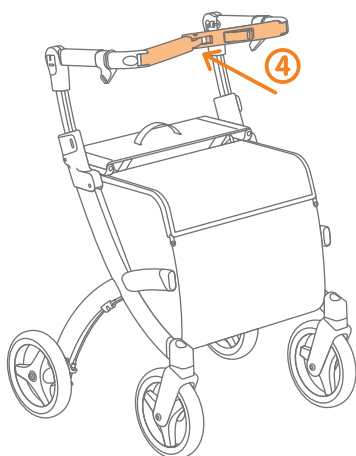
ANWEISUNGSZEICHNUNGEN

Falten

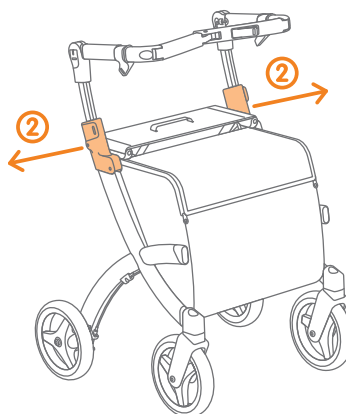


Vorsicht

Halten Sie die Hände vom Mittelteil fern, um ein Einklemmen der Finger zu vermeiden.



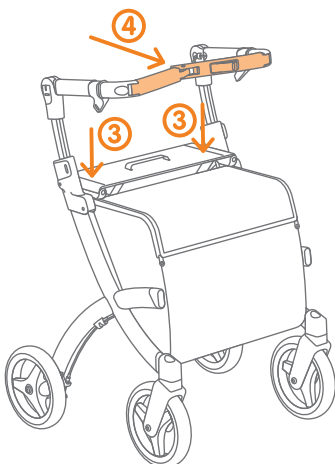
Entfalten



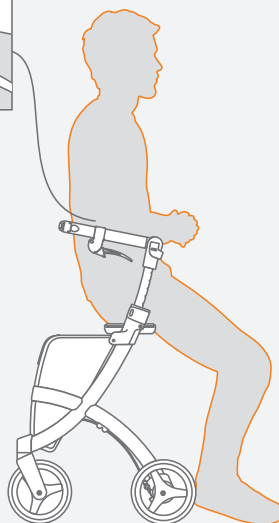
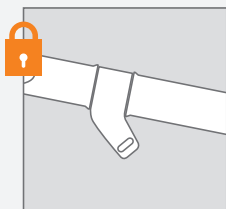
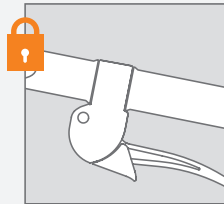
Vorsicht
Drücken Sie die Oberseite des Sitzes, um ein Einklemmen der Finger zu vermeiden.



Vorsicht
Drücken Sie oben auf den Hebel, um ein Einklemmen der Finger zu vermeiden.

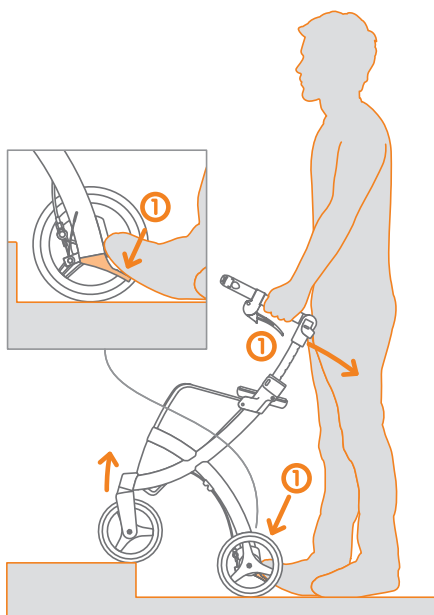
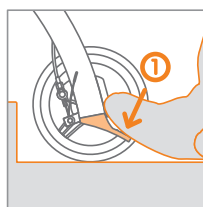


**Befor Sie
sich Auf dem
Rollz Flex
hinsetzen**

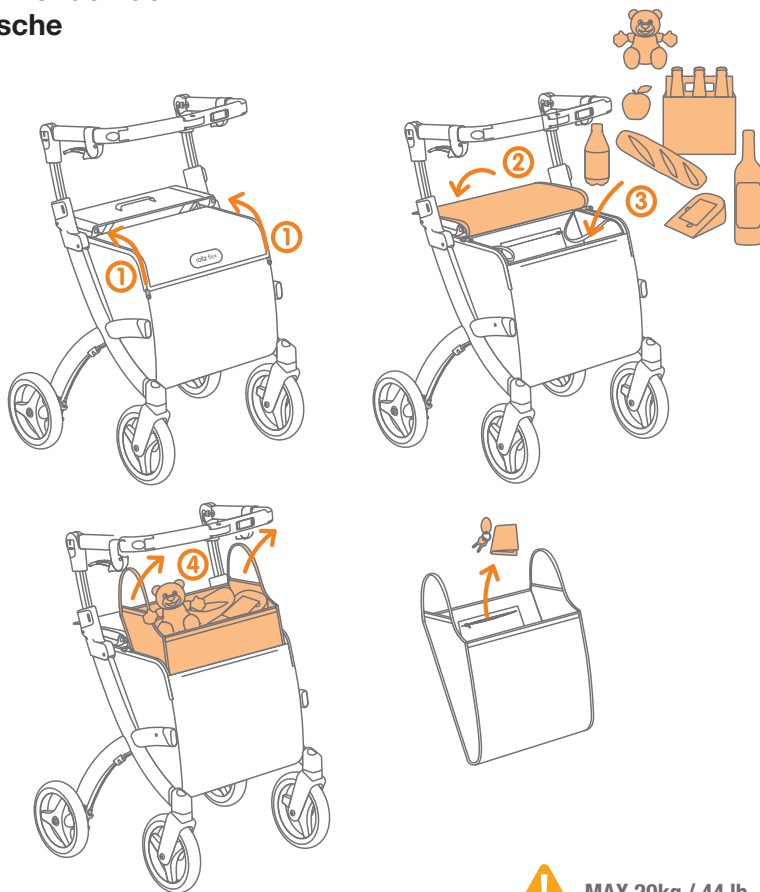


**Bitte verwenden Sie die
handbremse!**

**Überqueren von
Schwellen und
Bordsteinen**



Verwenden der Tasche



! MAX 20kg / 44 lb

Den Innenbeutel



Deutsch



rollz

rollz®



rollzint



RollzInternational



rollzint



RollzInternational

Version 2021.02